

# SMD LVPECL Crystal Oscillators - Differential Output 7.0 x 5.0 x 1.3 mm BC Series



## Features

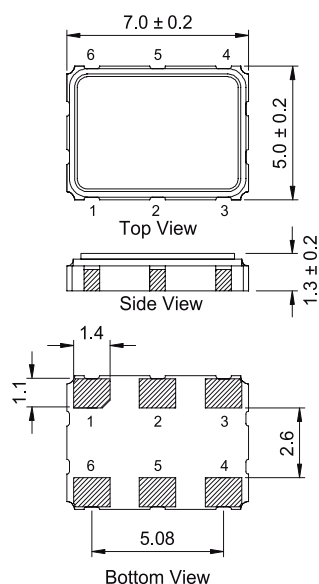
- PLL solution.
- 3.3V and 2.5V operation available.
- LVPECL output, output frequencies 75 MHz to 700 MHz.
- Excellent low phase noise and jitter.
- Tri-state function available.
- Applications : Fibre Channel, Gigabit Ethernet, Serial ATA, Serial Attached SCSI, PCI-Express, SDH / SONET.
- RoHS compliant / Pb Free.

## Electrical Specifications

Item / Type	BC
Output Type	LVPECL
Output Load	50 Ω
Oscillation Mode	PLL
Supply Voltage (VDD)	2.5 V , 3.3 V
Frequency Range	75 ~ 700 MHz
Overall Frequency Stability *	± 50 ppm , or specify
Operating Temperature Range	-10 ~ + 70 °C , - 40 ~ + 85 °C , or specify
Storage Temperature Range	- 55 ~ + 125 °C
Voltage Vol ( Max. ) / Voh ( Min. )	VDD - 1.62 V / VDD - 1.025 V
Rise ( Tr ) / Fall ( Tf ) Time ( 20 % ~ 80 % )	1 nS Max.
Supply Current	99 mA Max.
Symmetry	45 ~ 55 %
Start-up Time	10 mS Max.
Phase Jitter ( 12 KHz ~ 20 MHz )	1 pS Max.

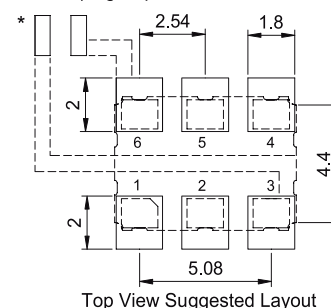
\* Inclusive of frequency tolerance at 25 °C, variation over temperature, supply voltage variation, aging and vibration.

## Dimensions



PAD FUNCTION:  
 1: ENABLE CONTROL or NC  
 2: ENABLE CONTROL or NC  
 3: GND  
 4: OUT  
 5: OUTN  
 6: VDD

\* :External high frequency power supply decoupling required.



Units: mm