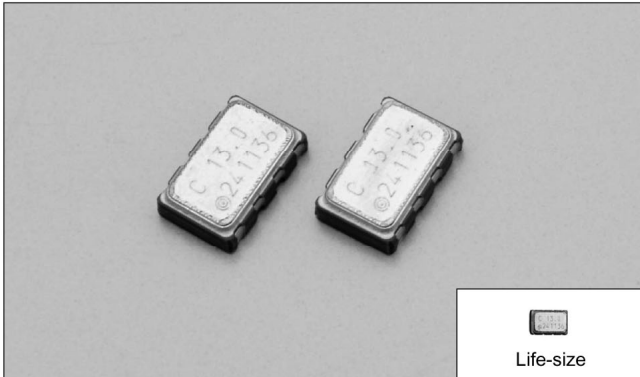


TEMPERATURE COMPENSATED CRYSTAL OSCILLATOR (SMD • Ceramic Package)

RoHS Compliant Standard

CSX532T

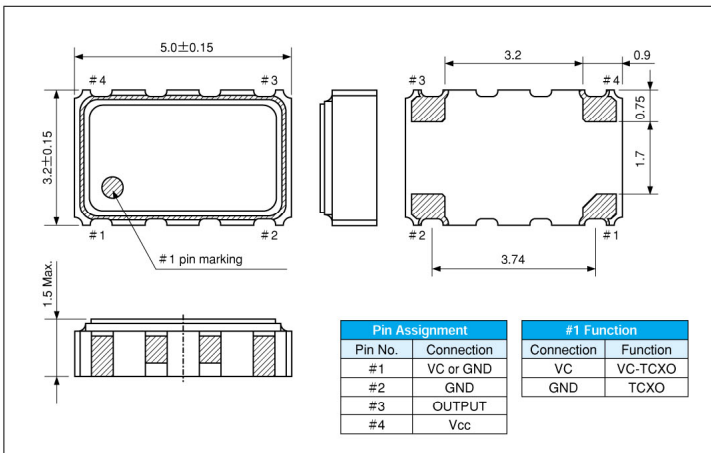
2000pcs/reel



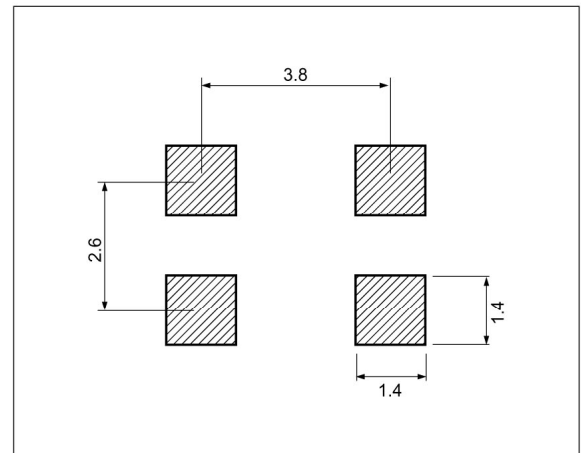
FEATURES

- With the function of frequency and voltage control .
- Available in 2.4V low voltage drive.
- Low current consumption.
- Automatic mounting and reflowable Type.
- Complete Pb free product.
- Most appropriate for Cellular phone, GPS and other equipment with telecommunication devices.

DIMENSION [mm]



SOLDER PAD LAYOUT [mm]



STANDARD SPECIFICATIONS

Item	Model	CSX532T			
Nominal Frequency	f ₀	12.8MHz , 13.0MHz	14.4MHz	16.8MHz , 19.2MHz , 19.68MHz , 19.8MHz	26.0MHz
Frequency Stability	Δf/f ₀	±2.5ppm / (−30°C ~ +75°C)			
Operating Temperature Range	T _{OPR}	−30°C ~ +75°C			
Storage Temperature Range	T _{STR}	−40°C ~ +85°C			
Supply Voltage	V _{dd}	2.4V ~ 3.0V			
Frequency adjustment range	Δf _c	±8ppm Min. / (V _{cont} =V _{dd} /2±1.0V)			
Current consumption	I _{dd}	1.0mA Max.		1.2mA Max.	1.5mA Max.
Output Voltage	V _{OUT}	0.8Vp-p Min. (10kΩ/10pF)			
Start-up time	T _{ST}	5.0 msec Max.		3.5 msec Max.	
Aging (first year)	F _A	±1.0ppm / year Max.			

