

**SERIES COM2-0.032768**



■ **ELECTRICAL SPECIFICATION**

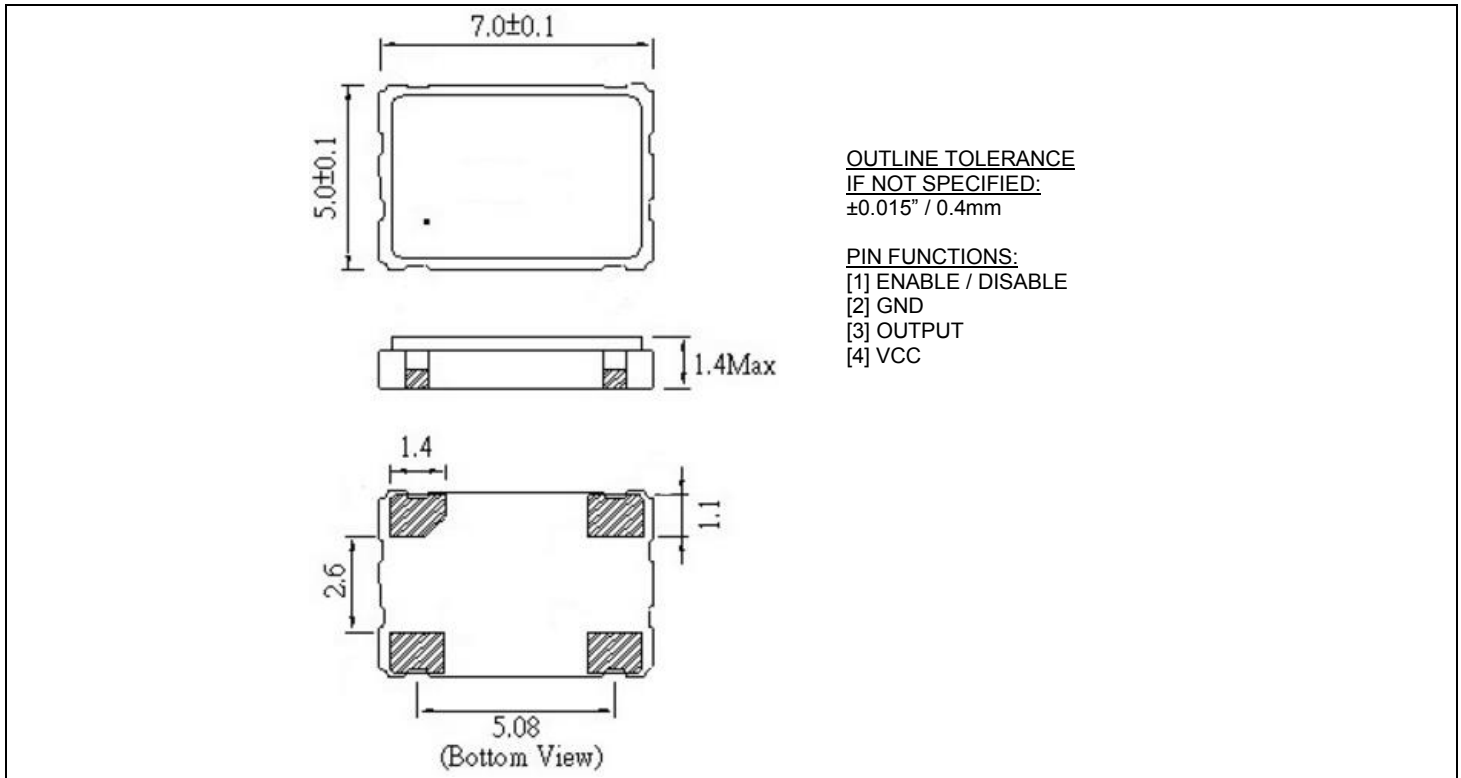
PARAMETER		VALUE
Nominal Frequency		32.768 kHz
Operating Temperature Range		-20°C ~ +70°C Standard -40°C ~ +85°C Extended
Frequency Stability*		±20 ppm, ±25 ppm, ±30 ppm, ±50 ppm
Storage Temperature Range		-55°C to +125°C
Supply Voltage (Vcc)		1.8 V, 3.3 V, 5.0 V
Supply Current		200uA Max. (10uA is available)
Output CMOS	Symmetry	40% to 60% at 50% Vdd (45% to 55% Available)
	Rise / Fall Time	30nS Max.
	Logic "0" Level	Vcc x 0.1 V max
	Logic "1" Level	Vcc x 0.9 V min
	Load	15 pF max
Enable / Disable Function		Pin 1: High or Open >> Output enabled Pin 3 Pin 1: Low >> Output disabled (High impedance)
Start-up Time		10mS Max.

\* Inclusive of 25°C tolerance, operating temperature range, voltage or load changes, aging, shock and vibration, consult factory for tighter stability options.



**SERIES COM2-0.032768**

■ **MECHANICAL SPECIFICATION**



■ **PART NUMBERING SYSTEM**

TYPE	SERIES	FREQUENCY (MHz)	SUPPLY VOLTAGE (Vcc)	STABILITY (ppm)	TEMPERATURE RANGE (°C)	SYMMETRY (Duty Cycle)	TAPE & REEL
Clock Oscillator	M2	0.032768	1.8: Vcc=1.8 2.5: Vcc=2.5 3.3: Vcc=3.3 5.0: Vcc= 5.0	20: ±20 ppm 25: ±25 ppm 30: ±30 ppm 50: ±50 ppm	blank: -20°C to +70°C X: -40°C to +85°C	blank: 40 to 60% T: 45 to 55%	TR

**EXAMPLE: COM2-0.032768-2.5-20-T-TR**

Surface Mount COM2, 5.0 x 3.2 mm, 32.768 kHz, 2.5 VDC Supply Voltage, ±20 ppm Overall Stability, from -20°C to +70°C, Symmetry 45% to 55%, Tape and Reel packaging.