

General Description

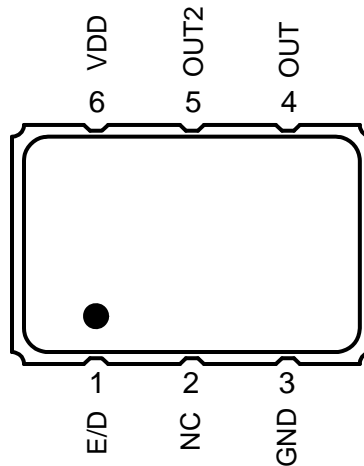
The XUN is an Ultra Precision HCSL Crystal Oscillator with 300fs typical phase jitter over 12kHz to 20 MHz bandwidth. Available in a wide frequency range from 16kHz to 670MHz, the IDT XUN Series Crystal Oscillator utilizes a family of proprietary ASICs, with a key focus on noise reduction technologies.

The 4th order Delta Sigma Modulator reduces noise to the levels that are comparable to traditional Bulk Quartz and SAW oscillators. With short lead-time, low cost, low noise, wide frequency range, excellent ambient performance, the XUN is an excellent choice over the conventional technologies. The XUN has stabilities as tight as ± 20 ppm with extremely quick delivery for both standard and custom frequencies

Features

- Frequency range: 0.016MHz to 670MHz
- Output Type: HCSL
- Frequency Stability: ± 20 ppm, ± 25 ppm, ± 50 ppm, or ± 100 ppm
- Supply Voltage: 1.8V, 2.5V, or 3.3V
- Phase Jitter (1.875MHz to 20MHz): 100fs typical
- Phase Jitter (12kHz to 20MHz): 300fs typical
- Package options: 5.0mm x 3.2mm x 1.2mm (JS6)
7.0mm x 5.0mm x 1.3mm (JU6)
- Operating Temperatures: -20°C to $+70^{\circ}\text{C}$ or -40°C to $+85^{\circ}\text{C}$

Pin Assignment



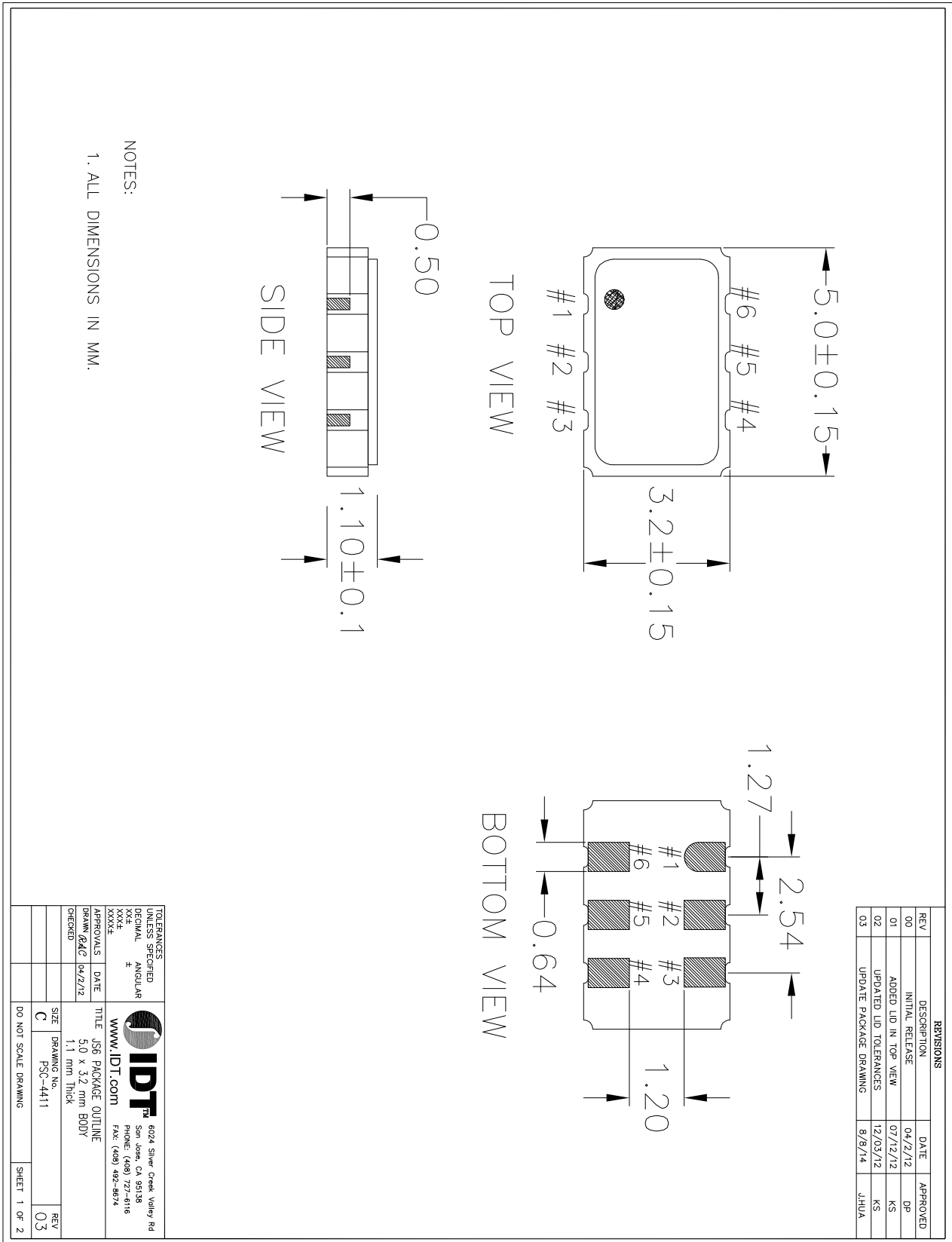
6-pin CLCC

Pin Descriptions

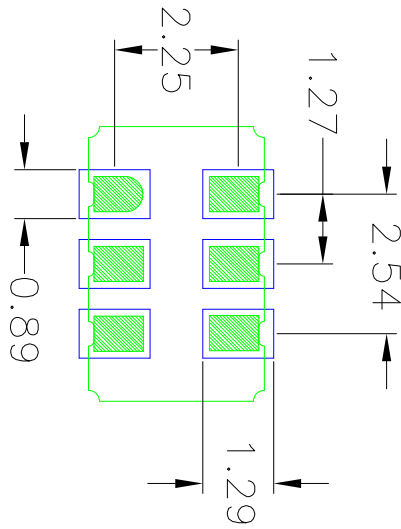
Pin Number	Pin Name	Description
1	E/D	Enable/Disable ¹ (0=Output Disabled)
2	NC	No connect
3	GND	Connect to ground
4	OUT	Output
5	OUT2	Complementary output
6	VDD	Supply Voltage

1. Pulled high internally.

JS6 Package Outline and Dimensions



JS6 Package Outline and Dimensions (cont.)



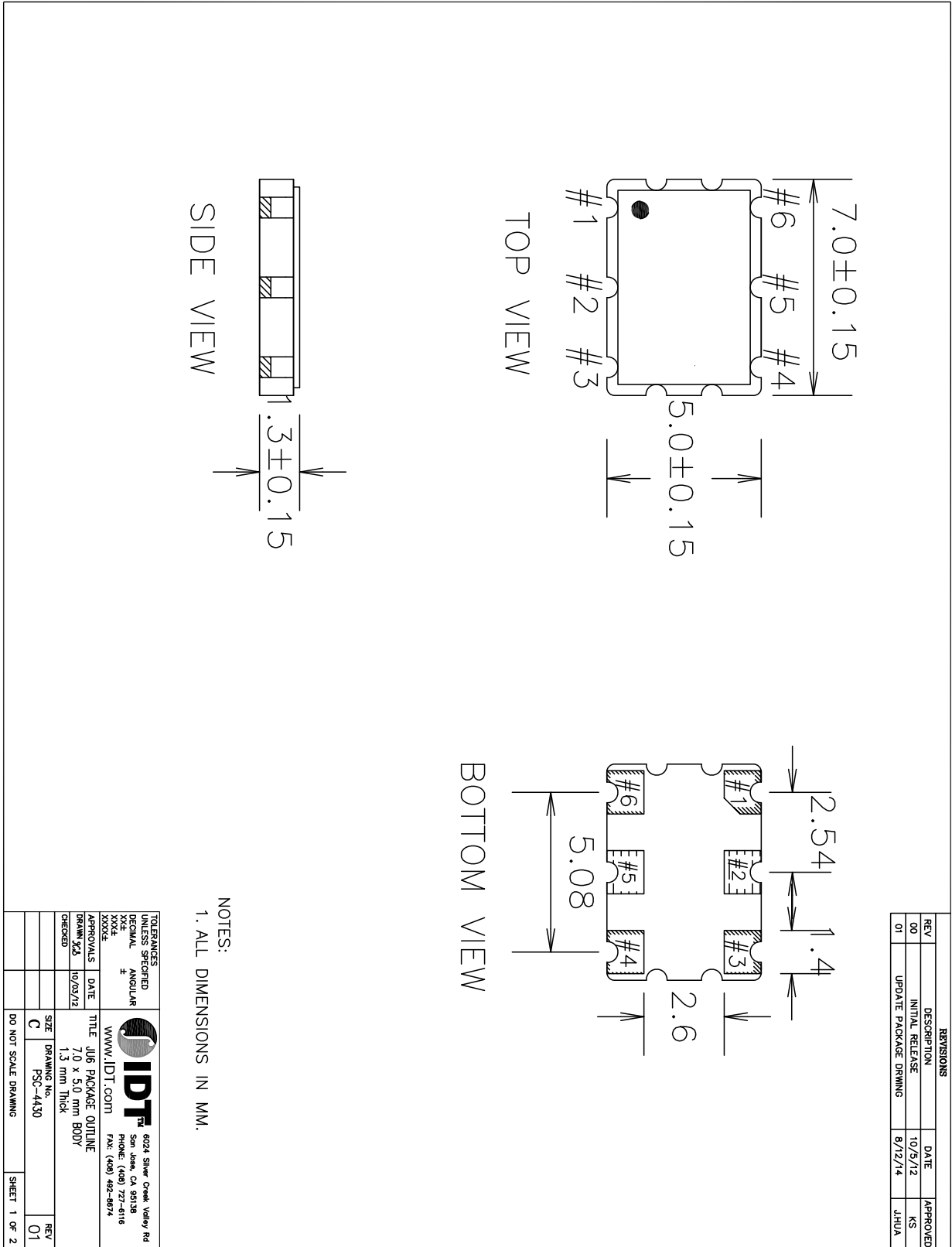
RECOMMENDED LAND PATTERN

- NOTES:
1. ALL DIMENSION ARE IN mm. ANGLES IN DEGREES.
 2. TOP DOWN VIEW, AS VIEWED ON PCB.
 3. COMPONENT OUTLINE SHOW FOR REFERENCE IN GREEN.
 4. LAND PATTERN IN BLUE. NSMD PATTERN ASSUMED.
 5. LAND PATTERN RECOMMENDATION PER IPC-7351B GENERIC REQUIREMENT FOR SURFACE MOUNT DESIGN AND LAND PATTERN.

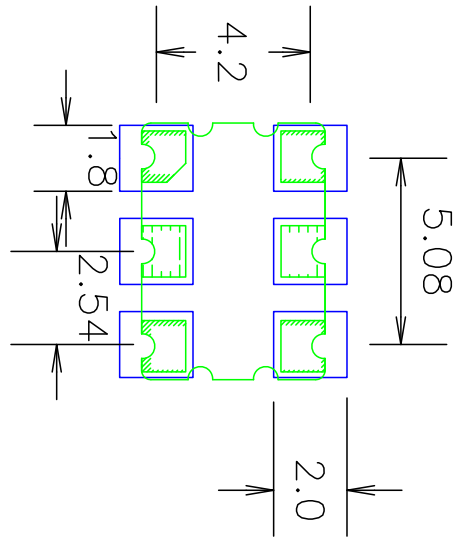
REV	DESCRIPTION	DATE	APPROVED
00	INITIAL RELEASE	04/2/12	GP
01	ADDED LID IN TOP VIEW	07/12/12	KS
02	UPDATED LID TOLERANCES	12/03/12	KS
03	UPDATE PACKAGE DRAWING	8/8/14	JHUA

TOLERANCES UNLESS SPECIFIED			6024 Silver Creek Valley Rd San Jose, CA 95138 PHONE: (408) 727-4816 FAX: (408) 492-8974
FRONT PANEL	±0.15		
DRILLING	±0.05	WWW.IDT.COM	TITLE JS6 PACKAGE OUTLINE SIZE 3.0 x 3.2 mm BODY DRAWING No. F5C-4411
ETCHING	±0.05	DATE 04/2/12 DESIGNED BY JHUA CHECKED BY JHUA	REV 03 SHEET 2 OF 2
DO NOT SCALE DRAWING			

JU6 Package Outline and Dimensions



JU6 Package Outline and Dimensions (cont.)



RECOMMENDED LAND PATTERN

- NOTES:
1. ALL DIMENSION ARE IN mm. ANGLES IN DEGREES.
 2. TOP DOWN VIEW, AS VIEWED ON PCB.
 3. COMPONENT OUTLINE SHOW FOR REFERENCE IN GREEN.
 4. LAND PATTERN IN BLUE. NSMD PATTERN ASSUMED.
 5. LAND PATTERN RECOMMENDATION PER IPC-7351B GENERIC REQUIREMENT FOR SURFACE MOUNT DESIGN AND LAND PATTERN.

REVISIONS			
REV	DESCRIPTION	DATE	APPROVED
00	INITIAL RELEASE	10/25/12	KS
01	UPDATE PACKAGE DRIVING	8/12/14	JHUA

TOLERANCES UNLESS SPECIFIED			6024 Silver Creek Valley Rd San Jose, CA 95138 PHONE: (408) 727-8118 FAX: (408) 492-8874
DECIMAL	ANGULAR		
±	±	www.IDT.com	
APPROVALS DATE DRAWN: JAS 10/03/12 CHECKED:		TITLE: JU6 PACKAGE OUTLINE 7.0 x 5.0 mm BODY 1.3 mm Thick	
SIZE: C	DRAWING No: PSC-4430	REV: 01	DO NOT SCALE DRAWING
			SHEET 2 OF 2

