

Pb Free

RoHS Conforming

**Features**

- Reference frequency for telecommunication systems
- Reflow compatible
- Using Ceramic Package resulting in high reliability
- Small and low profile

**Applications**

- Mobile communications, Bluetooth, Wireless LAN

**Standard Frequencies** (kHz)

12000.000	26000.000
13000.000	32000.000
16000.000	40000.000
20000.000	

\* Please inquire about frequencies other than the above.

**Specifications**

Items	Symbol	Specification	Units	Remarks
Frequency Range	F <sub>0</sub>	12000~40000	kHz	
Overtone Order	—	Fundamental	—	
Frequency Tolerance	ΔF/F	±10	ppm	@ 25°C
Frequency Temperature Characteristics	ΔF/T	±15	ppm	ref@ 25°C Over Operating Temp Range
Motional Series Resistance	C <sub>I</sub>	Table 1	ohm	
Level of Drive	—	Table 2	μW	
Load Capacitance	C <sub>L</sub>	10	pF	
Operating Temp. Range	T <sub>OPR</sub>	-30~+85	°C	
Storage Temp. Range	T <sub>STG</sub>	-40~+85	°C	

\* Please inquire about specifications other than the above.

**Table1 Motional Series Resistances**

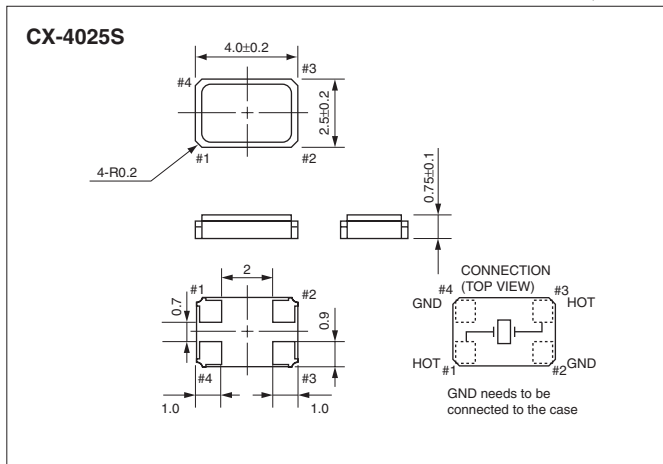
Frequency Range	Motional Series Resistance	Units
12000~1999kHz	80	ohm
20000~40000kHz	50	

**Table2 Level of Drive**

Frequency Range	Level of Drive	Units
12000~40000kHz	10(100 max.)	μW

**Dimensions**

(Unit : mm)



**Recommended Land Pattern**

(Unit : mm)

