

Ph Free

RoHS Compliant

Features

- Ultra-miniature SMD type (2.0×1.6×0.75mm)
- AFC function available
- Frequency deviation : $\pm 2.0 \times 10^{-6} / -30$ to $+85^\circ\text{C}$
- 2.3 to 3.6V drive available
- Reflow compatible

Applications

- 3G (CDMA, W-CDMA, TD-SCDMA), GPRS, GSM, Wi-Fi, WiMAX

How to Order

KT2016Y 26000 D C W 28 T xx
① ② ③ ④ ⑤ ⑥ ⑦ ⑧

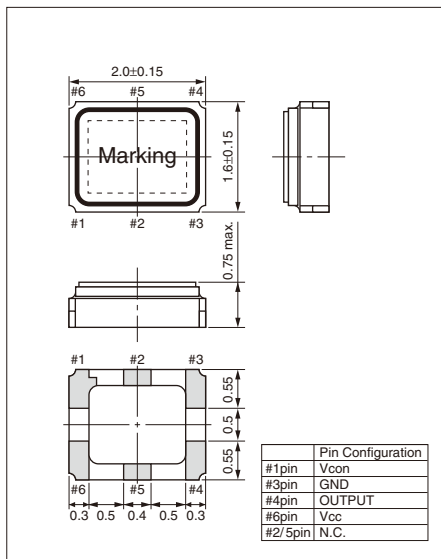
- ① Series
 - ② Output Frequency
 - ③ Frequency deviation
 - ④ Lower Operating Temp.
 - ⑤ Upper Operating Temp.
 - ⑥ Supply Voltage
 - ⑦ Voltage Control Range
 - ⑧ Option Code
- | | | | |
|---------------|--------------------------|-----------|------|
| 28 | 2.8V | 30 | 3.0V |
| B | $\pm 1.0 \times 10^{-6}$ | | |
| C | $\pm 1.5 \times 10^{-6}$ | | |
| D | $\pm 2.0 \times 10^{-6}$ | | |
| T | TCXO | | |
| Other* | VCTCXO | | |
- * Customer Spec.
- | | |
|----------|-------|
| C | -30°C |
| E | -20°C |
| G | -10°C |
| W | +85°C |
| V | +80°C |
| U | +75°C |

Specifications

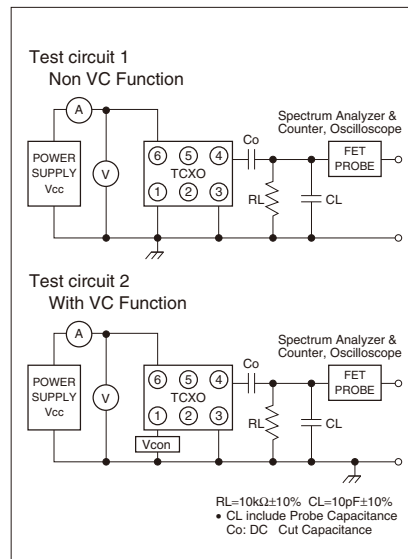
Item	Symbol	Conditions	Min.	Max.	Units
Output Frequency Range	f_o	Standard Frequency: 13, 19.2, 26, 38.4, 52	13	52	MHz
Frequency Tolerance	f_{tol}	vs Temperature	-2	+2	$\times 10^{-6}$
		vs Load	-0.1	+0.1	
		vs Voltage	-0.2	+0.2	
Frequency Aging	f_{age}	Per Year	-1	+1	$\times 10^{-6}$
Storage Temperature Range	T_{stg}		-40	+85	°C
Operating Temperature Range	T_{use}		-30	+85	°C
Voltage Control Range	f_{cont}	Positive	± 8	± 15	$\times 10^{-6}$
Supply Voltage	VCC		2.3	3.6	V
Output Level	Vpp	10k ohm // 10pF	0.8	—	Vp-p
Current Consumption	Icc		—	2	mA
Harmonics	—		—	-5	dBc

Dimensions

(Unit: mm)



Test Circuit



Recommended Land Pattern

(Unit: mm)

