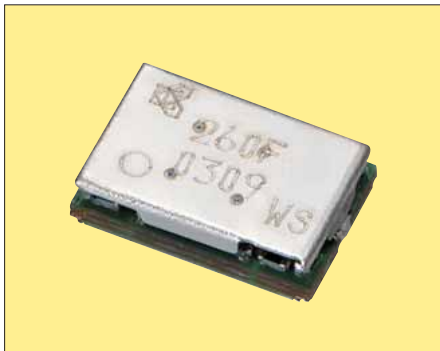


5.0×3.2mm



Pb Free

RoHS Conforming

Features

- Miniature SMD Type (5.0x3.2x1.5mm)
- Reflow compatible
- AFC function available
- 2.7V/2.8V/3.0V drive available
- Frequency Stability : ±2ppm at -30°C to +80°C
- Phase Noise -140dBc/Hz @ 1kHz offset(max)

Applications

- GSM, CDMA

How to Order

KT20A - D C V 30 □ - 19.680M - T
① ② ③ ④ ⑤ ⑥ ⑦ ⑧

① Series

K	±5ppm
E	±2.5ppm
D	±2.0ppm

③ Lower operating temp

C	-30°C
E	-20°C
G	-10°C

④ Upper operating temp

V	80°C
T	70°C
R	60°C

⑤ Supply Voltage

28	2.8V	30	3.0V
-----------	------	-----------	------

⑥ Option Code

⑦ Frequency(MHz)		
19.200	19.680	26.000
19.440	19.800	

⑧ Packaging

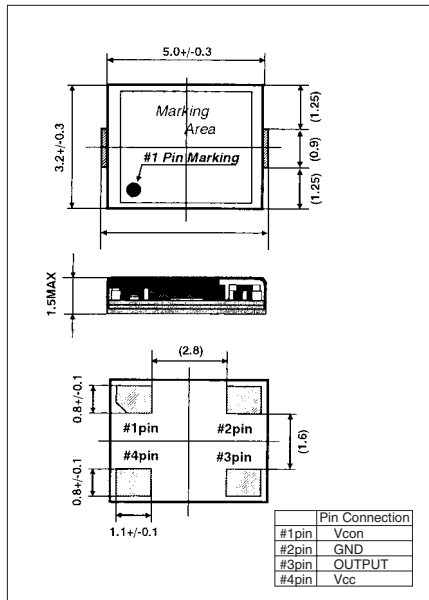
T	Tape & Reel
	4,000pcs/Reel

Specifications

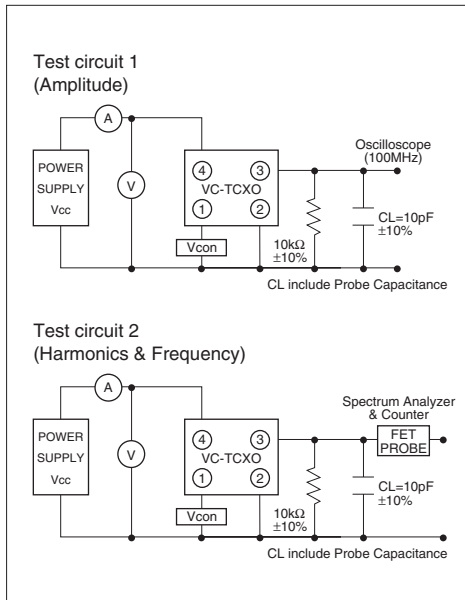
Item	Symbol	Conditions	Min.	Max.	Units
Output Frequency Range	F _{OUT}		19.2	26	MHz
Frequency Stability	Δf/fo	vs Temperature	-2.0	+2.0	ppm
		vs Load	-0.2	+0.2	
		vs Voltage	-0.3	+0.3	
Storage Temp. Range	T _{STG}		-30	+80	°C
Operating Temp. Range	T _{OPR}		-40	+85	°C
Aging	Δfaging	Per Year	-1	1	ppm
Voltage control range	Δf/V	Positive	+/-8	+/-15	ppm
Supply Voltage	V _{DD}		2.8	3	Volt
Output Voltage	V _{out}	10k ohm // 10pF	0.8	-	Vp-p
Current Consumption	I _{DD}		-	1.5	mA
Duty Ratio	SYM	@ 50% V _{DD}	40	60	%
Harmonics	-		-	-5	dBc

Dimensions

(Unit : mm)



Test Circuit



Recommended Land Pattern

(Unit : mm)

