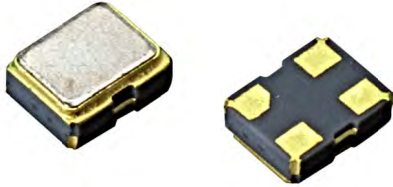




CRYSTAL OSCILLATOR

SPXO

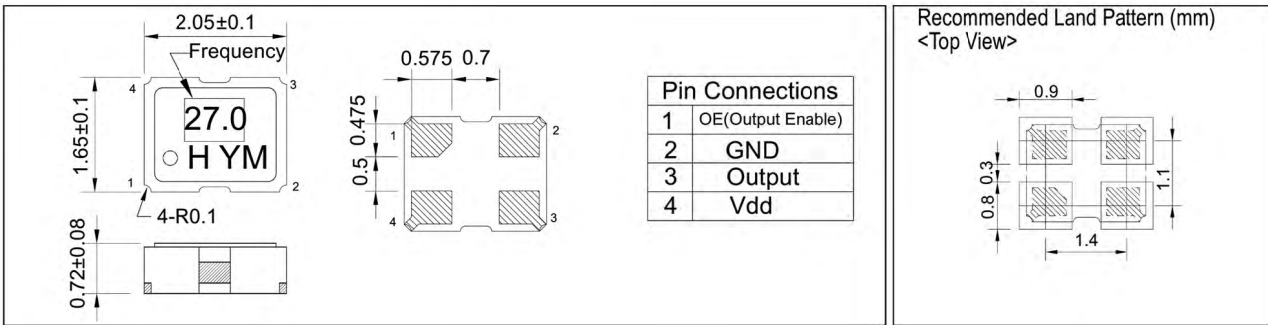
HSO211S Series



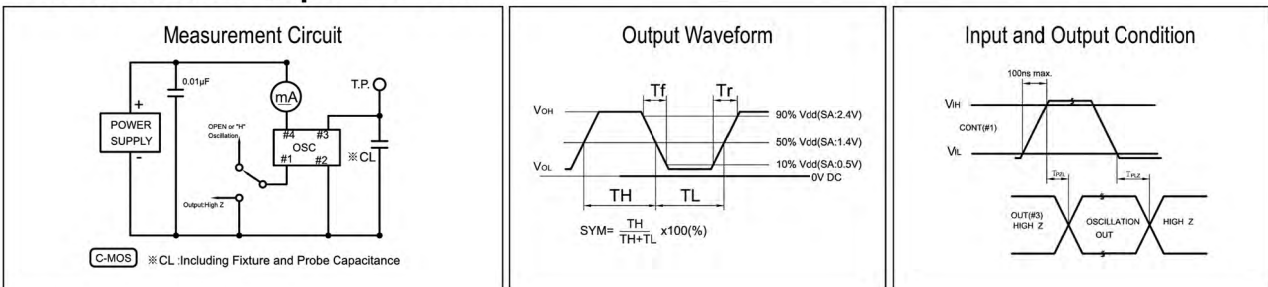
Features:

- Ultra miniature oscillator package.
- Tri-state function.
- 3.3V drive and low current consumption.
- Small supply voltage shift.
- Optimal solution for home security devices, power saving application, and low frequency specification circuit design looking for a smaller package.

Dimension (mm):



Test Circuit and Output Waveform:



Standard Specification:

ITEM	TYPE	HSO211S			
Frequency Range		1MHz~60MHz			
Frequency Stability		±25ppm, ±50ppm, ±100ppm			
Option on pin 1		pin 1 Have Control			
POWER voltage		+1.8 V (±10%)	+2.5 V (±10%)	+2.8 V (±10%)	+3.3 V (±10%)
Storage Temp.		-55°C ~ +125°C			
Output Character	"0" Level	10%VDD max			
	"1" Level	90%VDD min			
	Rise Time (Tr)	10% ~ 90%VDD 10ns max			
	Fall Time (Tf)	90% ~ 10%VDD 10ns max			
	Symmetry	60/40 to 40/60 at 50%VDD			
	Output Load	15pF Max.			

*Packing Unit: 3,000pcs/Reel.

