



YH1440/1441 Series OCXO

10 MHz – 100 MHz

(Rev C)

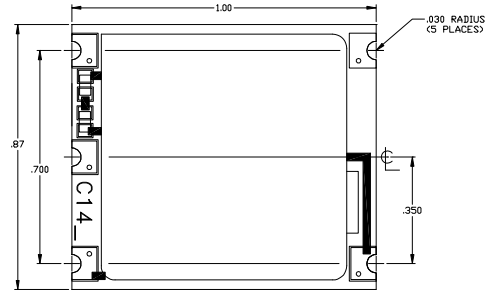
GREENRAY INDUSTRIES, INC.

PRECISION QUARTZ TECHNOLOGY

Miniature SMT Package
Stratum 3 Compliant

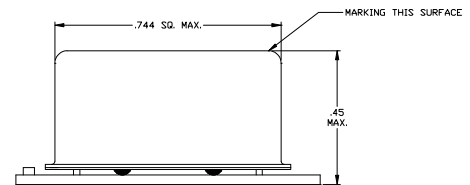
SPECIFICATIONS

Frequency	10.0 MHz to 100.0 MHz															
Output	YH1440 - Squarewave, AC MOS YH1441 - Sinewave, 0dBm min into 50ohms															
Harmonics	-20dBc (Sinewave version)															
Temp Stability	<table border="0"> <tr> <th>Temp Range</th> <th>Tolerance</th> <th>Option</th> </tr> <tr> <td>0 to +50°C</td> <td>$\pm 1 \times 10^{-7}$</td> <td>B17</td> </tr> <tr> <td>-10 to +60°C</td> <td>$\pm 1.5 \times 10^{-7}$</td> <td>G157</td> </tr> <tr> <td>-20 to +70°C</td> <td>$\pm 2 \times 10^{-7}$</td> <td>N27</td> </tr> <tr> <td>-40 to +70°C</td> <td>$\pm 5 \times 10^{-7}$</td> <td>S57</td> </tr> </table>	Temp Range	Tolerance	Option	0 to +50°C	$\pm 1 \times 10^{-7}$	B17	-10 to +60°C	$\pm 1.5 \times 10^{-7}$	G157	-20 to +70°C	$\pm 2 \times 10^{-7}$	N27	-40 to +70°C	$\pm 5 \times 10^{-7}$	S57
Temp Range	Tolerance	Option														
0 to +50°C	$\pm 1 \times 10^{-7}$	B17														
-10 to +60°C	$\pm 1.5 \times 10^{-7}$	G157														
-20 to +70°C	$\pm 2 \times 10^{-7}$	N27														
-40 to +70°C	$\pm 5 \times 10^{-7}$	S57														
Freq vs. Supply Aging	$\pm 3 \times 10^{-9}$ for a 5% change $\pm 2 \times 10^{-9}$ per day after 30 days (10 MHz typ)															
Input Voltage	available in +15, +12, +5, & +3.3VDC															
Input Power	Warmup - <5W for 5 minutes Idle - 2.0W max @ +25°C															
Phase Noise (typ @ 100 MHz)	<table border="0"> <tr> <td>10 Hz</td> <td>-80 dBc/Hz</td> </tr> <tr> <td>100 Hz</td> <td>-110 dBc/Hz</td> </tr> <tr> <td>1 kHz</td> <td>-140 dBc/Hz</td> </tr> <tr> <td>10 kHz</td> <td>-155 dBc/Hz</td> </tr> <tr> <td>100 kHz</td> <td>-160 dBc/Hz</td> </tr> </table>	10 Hz	-80 dBc/Hz	100 Hz	-110 dBc/Hz	1 kHz	-140 dBc/Hz	10 kHz	-155 dBc/Hz	100 kHz	-160 dBc/Hz					
10 Hz	-80 dBc/Hz															
100 Hz	-110 dBc/Hz															
1 kHz	-140 dBc/Hz															
10 kHz	-155 dBc/Hz															
100 kHz	-160 dBc/Hz															
Frequency Adjust	± 5.0 ppm typ, positive slope 0 to +3.3 or +5.0V EFC															



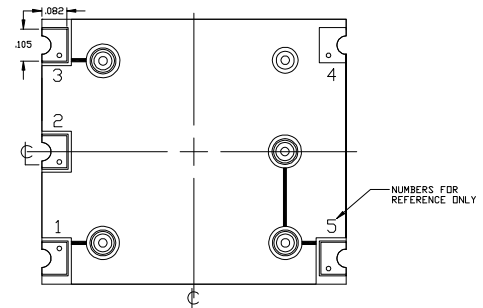
Ordering Example:

YH1440-N27-5-100.0MHz
(Model-Stability-Input V-Freq)



Pad Connections

- 1 - EFC
- 2 - N/C
- 3 - Supply V
- 4 - Output
- 5 - 0V/Gnd



To inquire about available custom parameters, please contact us at sales@greenrayindustries.com.

冠杰电子

0755-27839151

guanjiiedz@163.com



www.guangjiiedz.com