

YH1420/1421 Series OCXO

10MHz-120MHz

(Rev B)

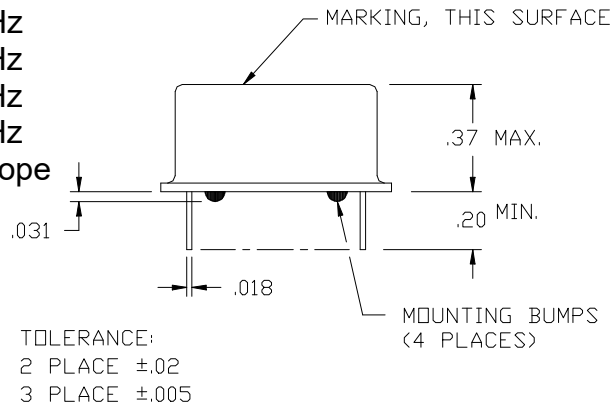
GREENRAY INDUSTRIES, INC.

PRECISION QUARTZ TECHNOLOGY

(Part Description)

SPECIFICATIONS

Frequency	10.0 MHz to 120.0 MHz		
Output	YH1420 - Squarewave, CMOS YH1421 - Sinewave, 0dBm min into 50ohms		
Harmonics	-20 dBc (Sinewave version)		
Symmetry	50% ± 10% (Squarewave version)		
Temp Stability	Temp Range	Tolerance	Option
	-10 to +60°C	±1x10 ⁻⁷	G17
	-20 to +70°C	±2x10 ⁻⁷	N27
	-40 to +85°C	±3x10 ⁻⁷	T37
Freq vs. Supply	±3x10 ⁻⁹ for a 5% change		
Aging	<0.5ppM/yr		
Input Voltage	available in +5 or +3.3 VDC		
Input Power	Warmup - <3W for 5 minutes Idle - <1.0W @ +25°C		
Phase Noise	10 Hz	-110 dBc/Hz	
(typ @ 10 MHz)	100 Hz	-135 dBc/Hz	
	1 kHz	-155 dBc/Hz	
	10 kHz	-158 dBc/Hz	
	100 kHz	-158 dBc/Hz	
Frequency Adjust	±5.0 ppm typ, positive slope 0 to Vsupply EFC		

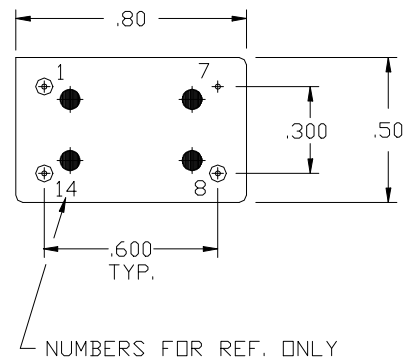


Ordering Example:

YH1420-N27-5
(Model-Stability-Input V)

Pin Connections

- 1 - EFC
- 7 - 0V/Gnd
- 8 - Output
- 14 - Supply V



To inquire about available custom parameters, please contact us at

