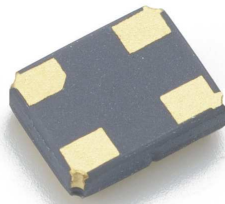


OSCILLATORS SMD TYPE CERAMIC (3.2 x 2.5)



Application of SMD OSC:

- PCMCIA Card
- CCD
- Portable PC
- Wireless Lan



{Features}

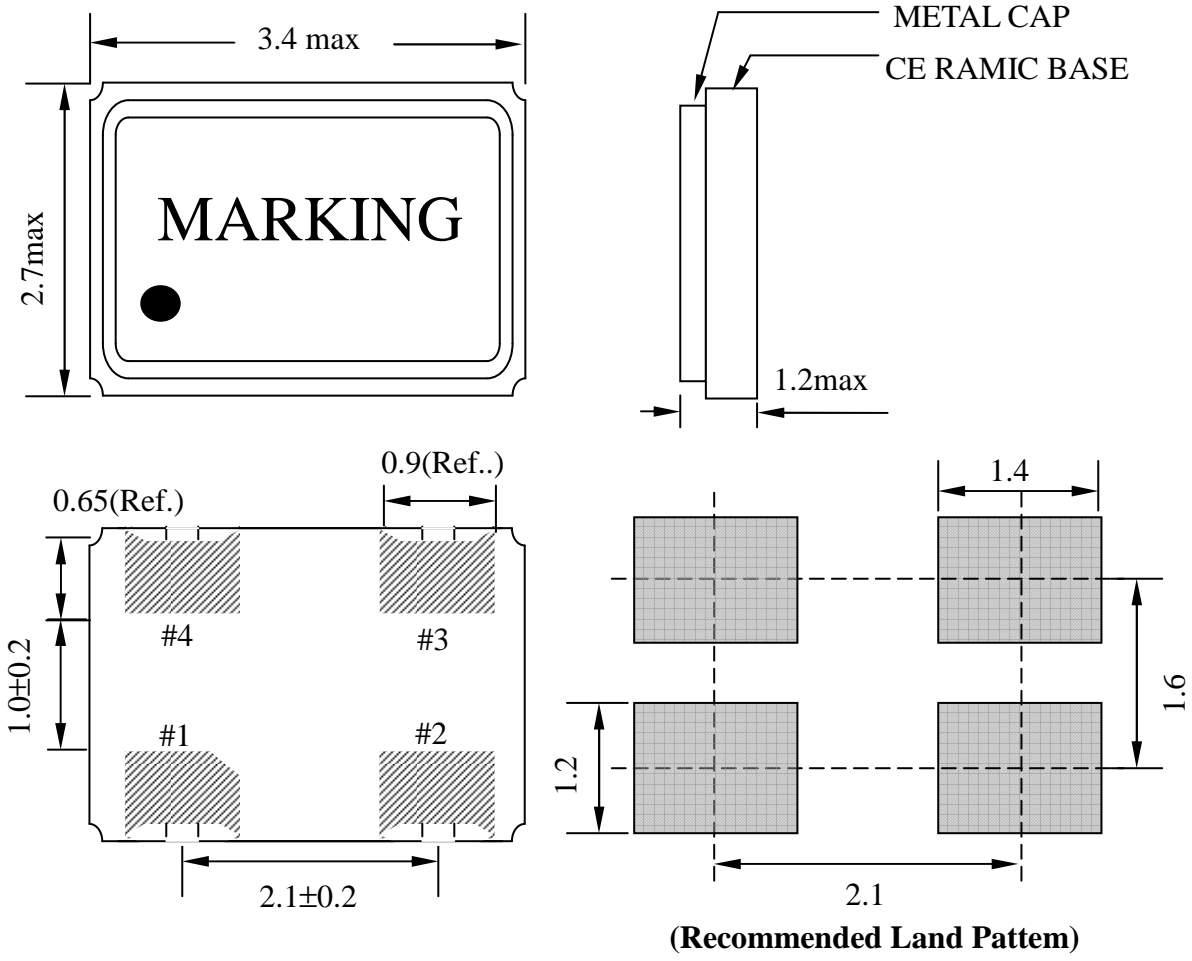
Seam welding
Excellent solderability

Electrical Specification:

Model		NAOK 32				
Frequency Range	MHz	2.0 ~ 54.0				
Frequency Stability	PPM	A:±100 B:±50 C: ±30 D: ±25				
Environmental Condition						
Operating Temp Range	°C	0 ~ 70 , -40 ~ 85				
Storage Temp Range		-55 ~ 125				
Power Supply Voltage	V DC	5.0V±10%	3.3V±10%	2.8V±5%	2.5V±5%	1.8V±5%
Output Level		CMOS				
Output Symmetry	%	40% ~ 60% or 45% ~ 55%(at 55% V DC)				
Input Current						
2.0 ~ 9.99 MHz	mA max	20	7	6	6	5
10.0 ~ 19.99 MHz		20	7	8	8	6
20.0 ~ 31.99 MHz		25	12	8	8	6
32.0 ~ 49.99 MHz		35	20	20	20	15
50.0 ~ 53.99 MHz		50	20	20	20	15
54.0 ~ 79.99 MHz		50	30		20	15
80.0 ~ 99.99 MHz			40		28	15
100.0 ~ 125.0 MHz			40		28	15
Rise and Fall Time						
2.0 ~ 9.99 MHz	ns max	15	20	5	5	7
10.0 ~ 19.99 MHz		15	15	5	5	7
20.0 ~ 31.99 MHz		15	10	5	5	6
32.0 ~ 49.99 MHz		15	10	5	5	6
50.0 ~ 54.0 MHz		10	10	5	5	6
54.0 ~ 79.99 MHz		10	6		5	5
80.0 ~ 99.99 MHz		4	5		4	5
100.0 ~ 125.0 MHz		4	4		4	5
Output Load		15 pF				



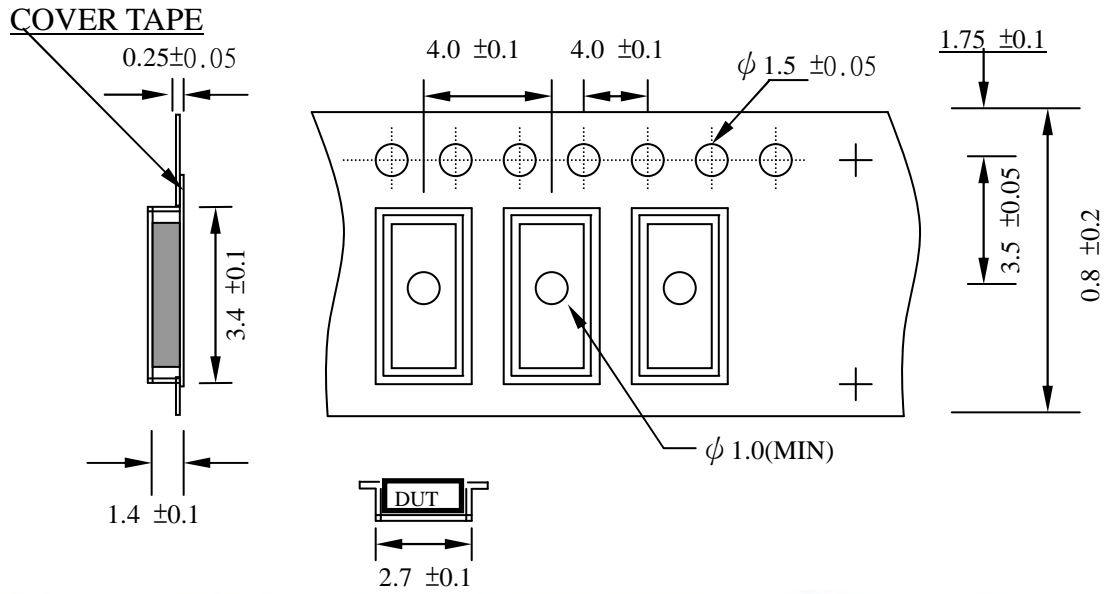
Dimensions (mm):



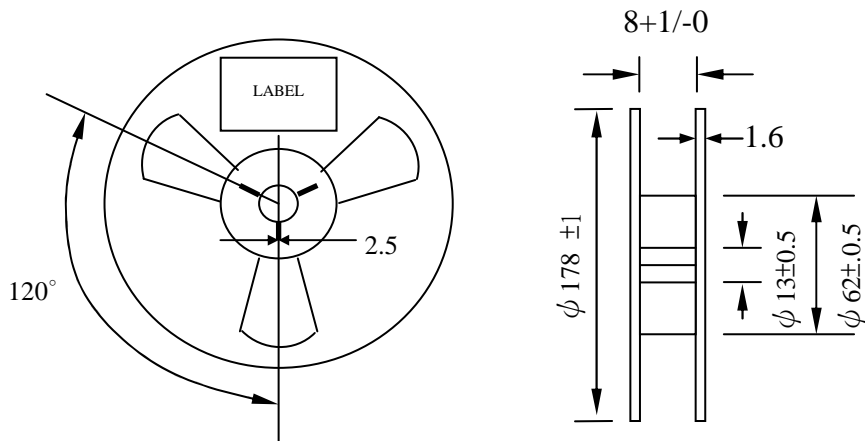
#1: ENABLE / DISABLE FUNCTION

INH (PIN 1)	→	OUTPUT (PIN 3)	# NO.: define
High (OPEN)	→	Operating	#4: VDD #3: OUTPUT
LOW	→	High impedance	#1: E/D #2: GND

Tape specification (mm):



Reel packing (mm):



TOLERANCE : ± 0.2 (mm)

Reflow Temperature Profile:

