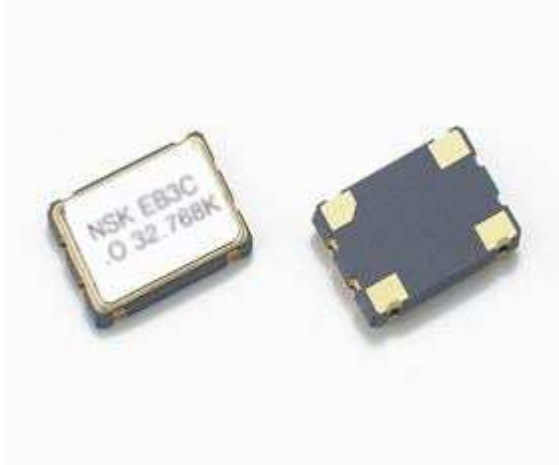


## OSCILLATORS SMD TYPE CERAMIC ( 7 x 5 )



### Application of SMD OSC:

- PCMCIA Card
- CCD
- Portable PC
- Wireless Lan



RoHS compliant



### { Features }

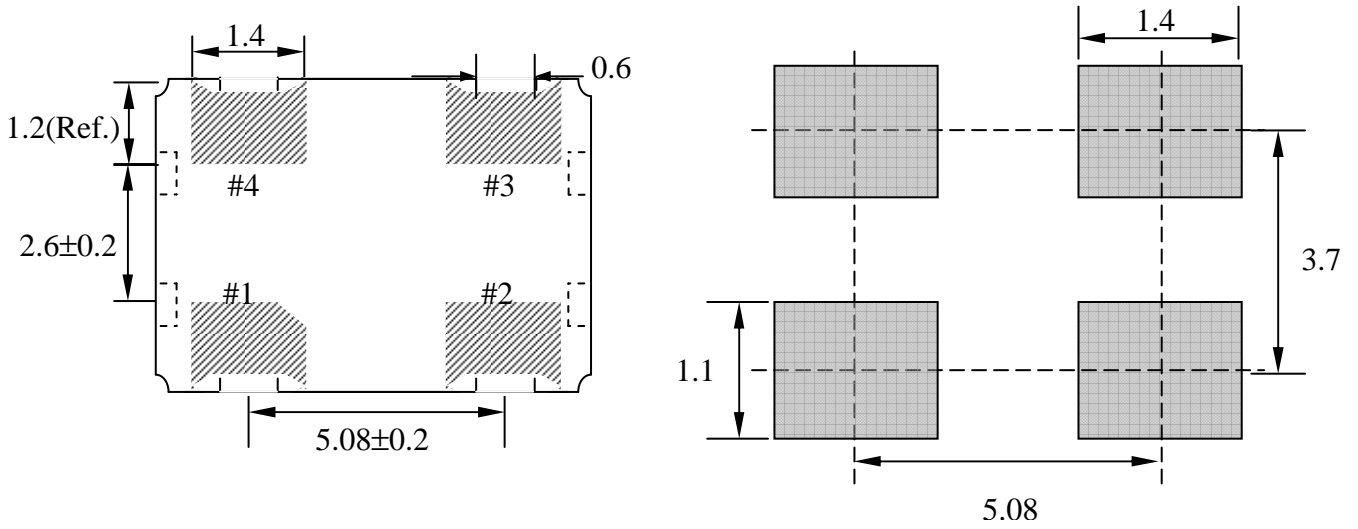
Seam welding  
Excellent solderability

### Electrical Specification:

Model		NAOD		
Frequency Range	KHz	32.768		
Oscillation Mode		Fundamental		
Output Type		CMOS		
Output Load	pF	15		
Frequency Stability	ppm	A:±100 B:±50 C: ±30 D: ±25		
Operating Temp Range	°C	-20 ~ 70 , or specify		
Storage Temp Range	°C	-55 ~ 125		
Power Supply Voltage	VDC	3.3V±10%	2.5V±5%	1.8V±5%
Voltage Vol / Voh		10% VDD ( Max ) / 90% VDD ( Min )		
Output Symmetry		40% ~ 60% or 45% ~ 55%(at 55% V DC)		
Tri-state Voltage Vol / Voh		0.3 VDD / 0.7 VDD		
Start Time	mS	10		
INPUT CURRENT	mA	3 ( Max )		
Rise and Fall Time	nS max	200		



**Dimensions (mm):**



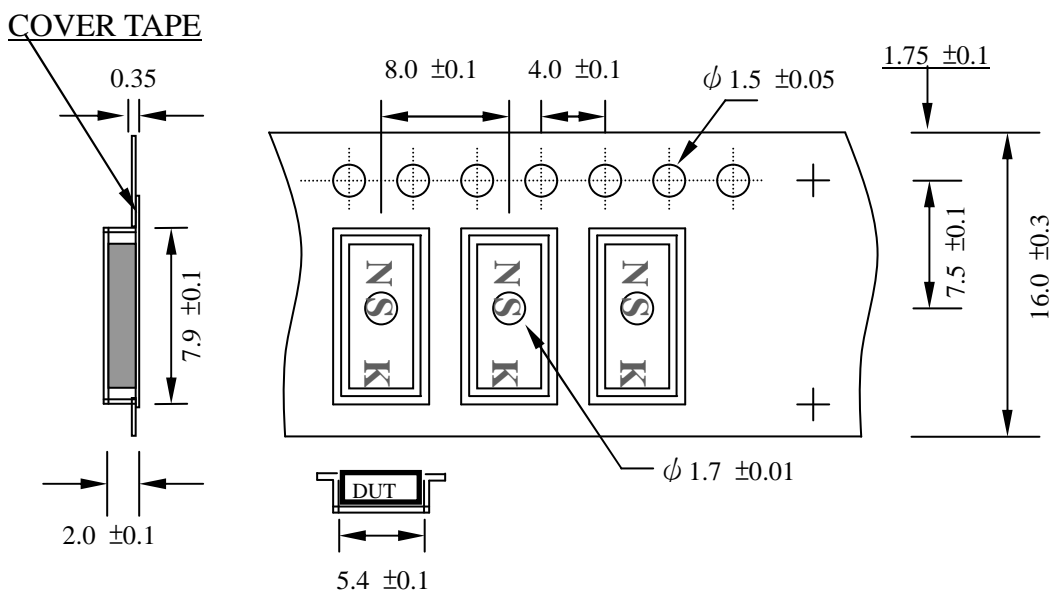
< TOP VIEW >

**(Recommended Land Pattern)**

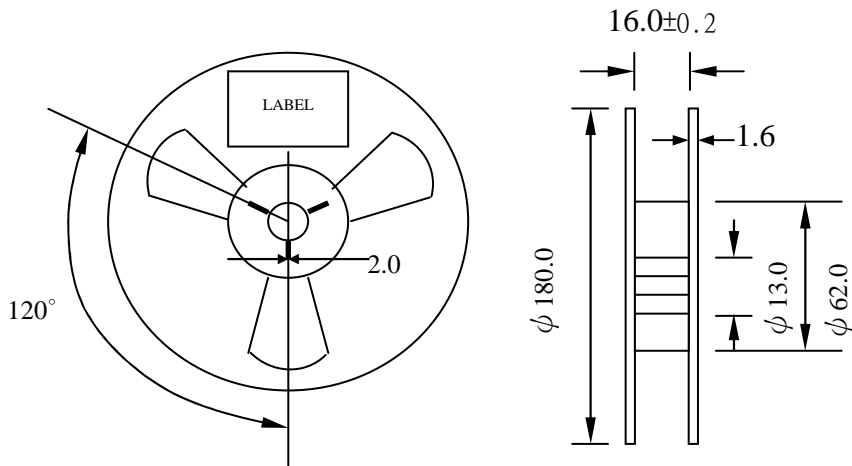
**#1: ENABLE / DISABLE FUNTION**

INH (PIN 1)	→	OUTPUT (PIN 3)	# NO.: define	
High (OPEN)	→	Operating	#4: VDD	#3: OUTPUT
LOW	→	High impedance	#1: E/D	#2: GND

**Dimensions (mm):**



**Dimensions (mm):**



**OLERANCE : ±0.2(mm)**

**Reflow Temperature Profile:**

