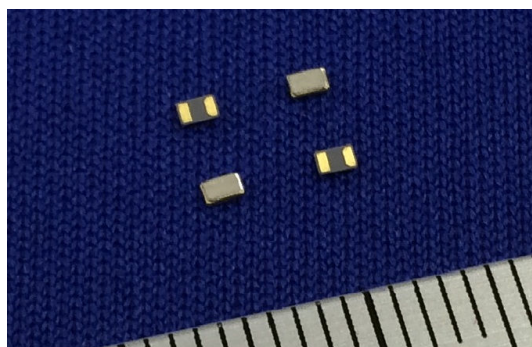


SC-16S



Features

- Suitable for high density surface mounting
- Excellent shock and heat resistance
- Complete Pb-free
- A crystal resonator processed by high reliable photolithographic technology inside.

Applications

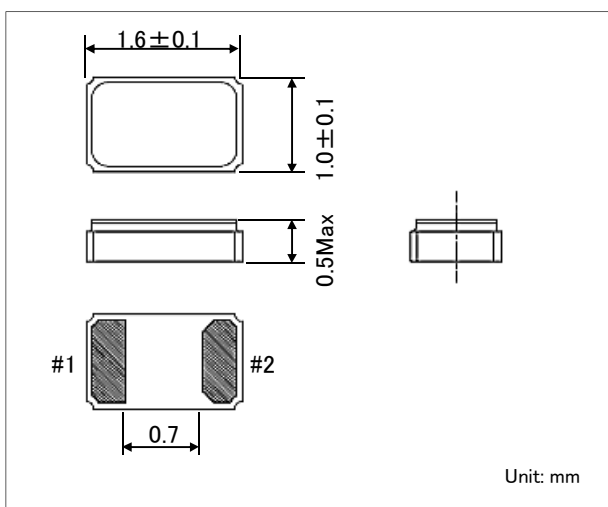
Cellular Phones, PHS, PDA, DSC, Car Audio, GPS Module, Small communications device, Sub-clock function for a variety of Micro-Controllers

Standard Specifications

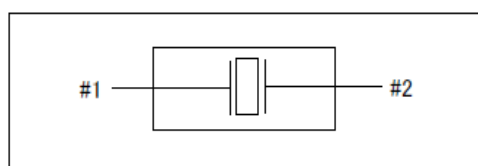
Conditions where not specified (Temperature: 25±2°C, DL;0.1μW)

| Item | Symbol | Specifications | Condition Note |
|---------------------------|--------------------|--|---------------------|
| Nominal Frequency | f_nom | 32.768kHz | |
| Frequency Tolerance | f_tol | ±20×10 ⁻⁶ | |
| Turnover Temperature | Ti | +25±5°C | |
| Parabolic Coefficient | B | (-0.035±10%)×10 ⁻⁶ /°C ² | |
| Load Capacitance | CL | 7pF, 9pF, 12.5pF | |
| Motional Resistance (ESR) | R1 | 90kΩ Max. | |
| Absolute Max. Drive Level | DI _{max.} | 0.5μW Max. | |
| Drive Level | DL | 0.1μW typ. | |
| Shunt Capacitance | C0 | 1.1pF typ. | |
| Frequency Ageing | f_age | ±3×10 ⁻⁶ /year | +25±3°C, First year |
| Operating Temperature | T_use | -40~+85°C | |
| Storage Temperature | T_stg | -55~+125°C | Piece part basis |

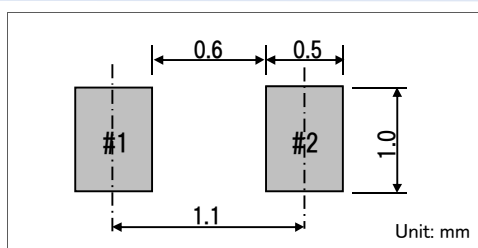
Dimension



Internal Lead Conditions



Recommended Soldering Pattern



Remark: Please make sure that there is no pattern under SC-16S on the circuit board.