

FEATURES

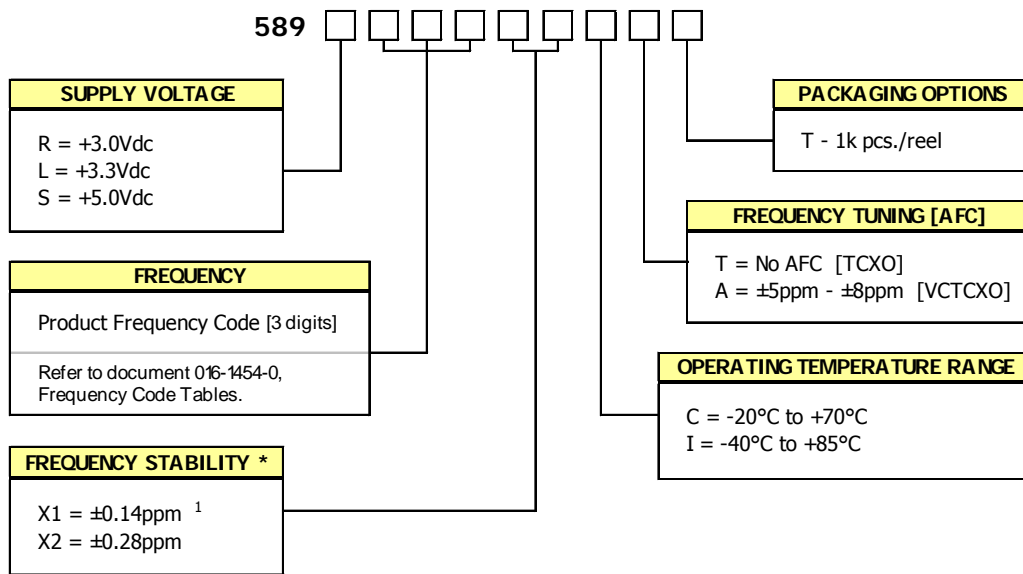
- HCMOS Output
- Optional Voltage Control for Frequency Tuning [VCTCXO]
- 7.0mm x 5.0mm Surface Mount Package
- Frequency Range 5 – 52 MHz
- Fundamental Crystal Design
- Operating Voltage, +3.0Vdc, +3.3Vdc or +5.0Vdc
- Overall Frequency Stability ± 4.6 ppm
- Operating Temperature to -40°C to $+85^{\circ}\text{C}$
- Tape & Reel Packaging Standard, EIA-418
- **RoHS/Green Compliant [6/6]**



APPLICATIONS

The Model 589, a quartz based analog TCXO with HCMOS output and optional frequency tuning, is suitable for applications requiring Stratum 3 performance such as base stations, Microcells, Femtocells, 1588 and Synchronous Ethernet timing, wireless communications, test and measurement.

ORDERING INFORMATION



**Not all performance combinations and frequencies may be available.
Contact your local CTS Representative or CTS Customer Service for availability.**

ELECTRICAL CHARACTERISTICS

PARAMETER	SYMBOL	CONDITIONS	MIN	TYP	MAX	UNIT	
Maximum Supply Voltage	V _{CC}	-	-0.6	-	6.0	V	
Maximum Control Voltage	V _C	-	-0.5	-	V _{CC}	V	
Storage Temperature	T _{STG}	-	-40	-	+100	°C	
Operating Temperature	T _A	-	-20	+25	+70	°C	
Order Code 'C'			-40		+85		
Order Code 'I'							
Frequency Range	f ₀	-	5	-	52	MHz	
Supply Voltage	V _{CC}	±5%	2.85	3.0	3.15	V	
Order Code 'R'			3.14	3.3	3.47		
Order Code 'L'			4.75	5.0	5.25		
Order Code 'S'							
Supply Current	I _{CC}	-	-	-	6.0	mA	
Frequency Stability	Δf/f ₀	Reference to f ₀ , Including 20 years aging @ +25°C, at time of shipment	-	-	4.60	± ppm	
Overall Frequency Stability vs. Initial Calibration			-	-	1.00		
vs. Operating Temperature			[Fmax. - Fmin.]/2, over -40°C to +85°C	-	-		0.28
vs. Supply Voltage			[Fmax. - Fmin.]/2, over -20°C to +70°C	-	-		0.14
vs. Load			±5% change @ +25°C	-	-		0.40
vs. Aging			±5% change 20 years @ +40°C	-	-		2.80
Holdover	Δf/f ₀	[Fmax. - Fmin.]/2, over 24 hours	-	-	0.32		
Control Voltage	V _C	-	0.5	1.5	2.5	V	
Frequency Tuning [VCTCXO Only]	-	V _C = 1.5V ±1.0V, monotonic positive		5 - 8		± ppm	
V _C Input Impedance	Z _{V_C}	-	100	-	-	kOhm	
Output Waveform		HCMOS					
Output Voltage Levels							
Logic '1' Level	V _{OH}	HCMOS Load	0.9*V _{CC}	-	-	V	
Logic '0' Level	V _{OL}	HCMOS Load	-	-	0.1*V _{CC}		
Output Load	C _L	-	-	-	15	pF	
Rise and Fall Time	T _R , T _F	@ 20% - 80% Levels	-	3.0	6.0	ns	
Output Duty Cycle	SYM	@ 50% Level	45	-	55	%	
Start Up Time	T _S	-	-	-	2	ms	
Enable Function							
Enable Input Voltage	V _{IH}	Pin 8 Logic '1', Output Enabled	0.7*V _{CC}	-	-	V	
Disable Input Voltage	V _{IL}	Pin 8 Logic '0', Output Disabled [High Imp]	-	-	0.3*V _{CC}		
Phase Noise ¹	-	-				dBc/Hz	

ELECTRICAL PARAMETERS

Notes:
1. Phase Noise performance may vary based on output frequency. See example plot at 10 MHz below.

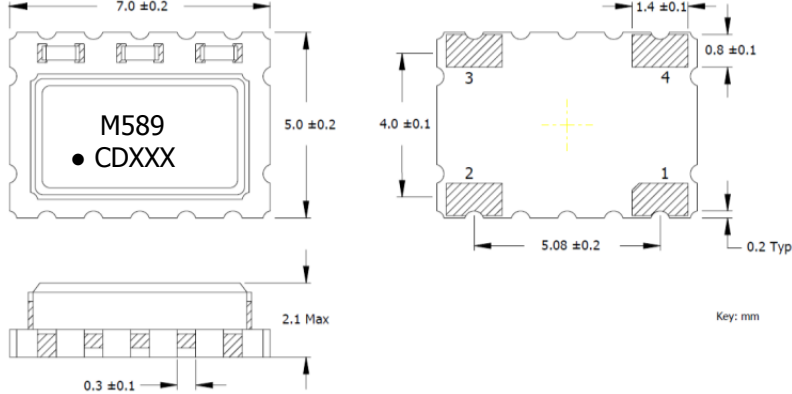


TEST CIRCUIT – HCMOS LOAD



MECHANICAL SPECIFICATIONS

PACKAGE DRAWING



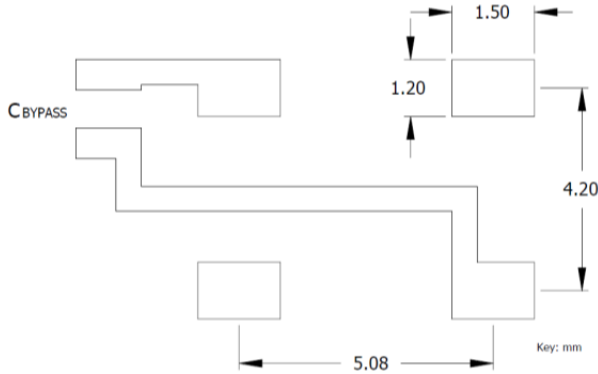
MARKING INFORMATION

1. M589 – CTS Model Series.
2. ● – Pin 1 identifier.
3. C – CTS identifier.
4. D – Date code. See Table II for codes.
5. xxx – Frequency Code.
6. Refer to document 016-1454-0, Frequency Code Tables.

NOTES

1. DO NOT make connections to non-labeled pins or castellations as they may have internal connections used in the manufacturing process.
2. Termination pads (e4); barrier plating is nickel [Ni] with gold [Au] flash plate.
3. Reflow conditions per JEDEC J-STD-020, 260°C maximum.
4. MSL = 1.

SUGGESTED SOLDER PAD GEOMETRY



D.U.T. PIN ASSIGNMENTS

PIN	SYMBOL	DESCRIPTION
1	V _C	Control Voltage – VCTCXO [Note 1]
		GND - TCXO
2	GND	Circuit & Package Ground
3	Output	HCMOS Output
4	V _{CC}	Supply Voltage

NOTES

1. Connect to ground for TCXO [no AFC] option.

TABLE II – DATE CODE

YEAR		MONTH					JAN	FEB	MAR	APR	MAY	JUN	JUL	AUG	SEP	OCT	NOV	DEC
		2001	2005	2009	2013	2017												
2001	2005	2009	2013	2017	A	B	C	D	E	F	G	H	J	K	L	M		
2002	2006	2010	2014	2018	N	P	Q	R	S	T	U	V	W	X	Y	Z		
2003	2007	2011	2015	2019	a	b	c	d	e	f	g	h	j	k	l	m		
2004	2008	2012	2016	2020	n	p	q	r	s	t	u	v	w	x	y	z		

PACKAGING INFORMATION [reference]

Device quantity is 1k pcs. maximum per 180mm reel.

