

SMD TYPE CERAMIC (SMD 8 x 4.5)



Application of SMD crystal:

- Blue tooth
- PDA
- Notebook
- Digital camera
- MP3
- Wireless Lan



{Features}

1.1mm thickness is equal to SMD-type IC
 Excellent reliability and environment capability
 High-density mounting-type SMD
 Excellent vibration resistance & shock resistance

Electrical Specification:

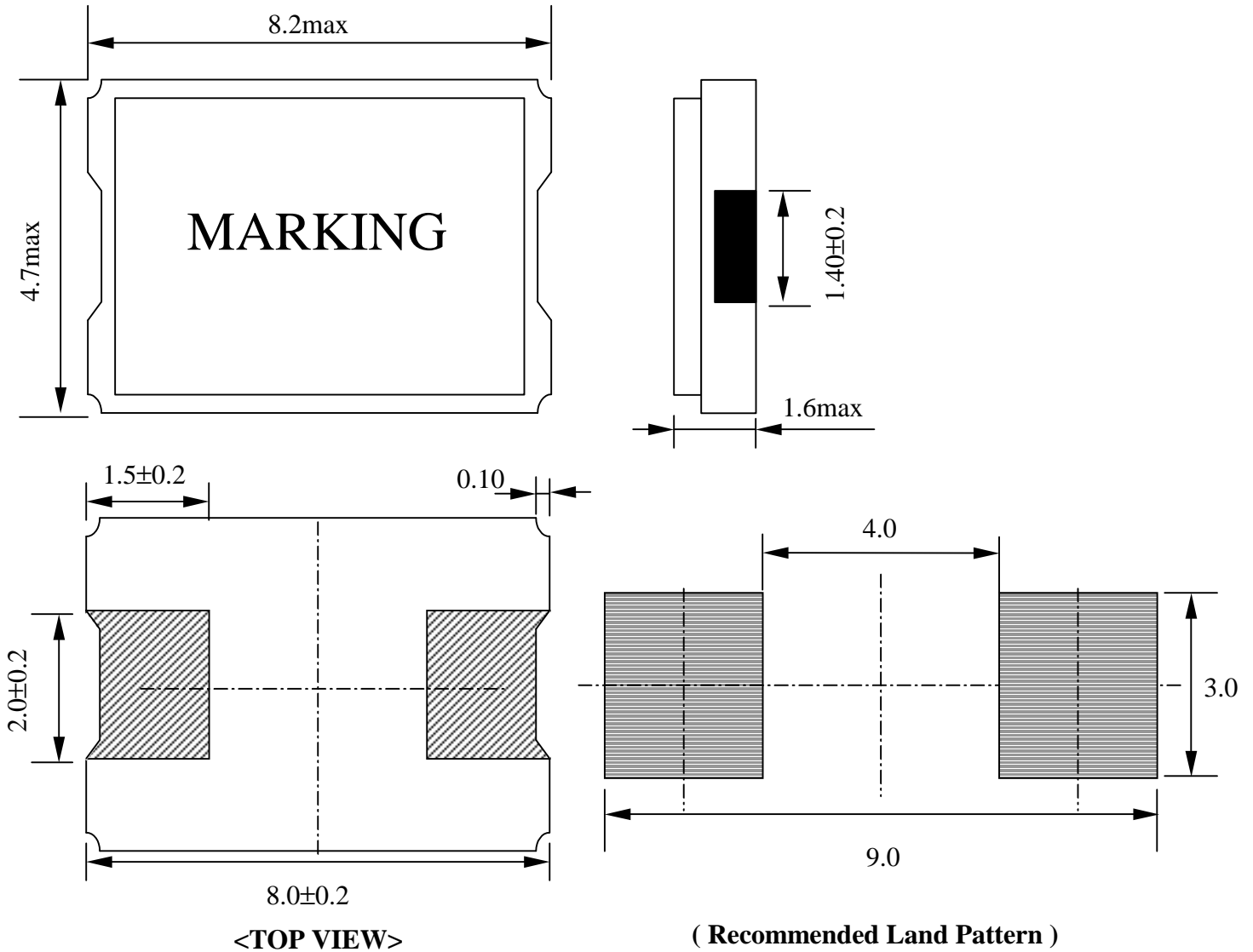
Model	GJ-8045-GLASS
1.Frequency	
Frequency Range	8.0 ~ 125.000 MHz
Frequency Tolerance at 25 °C ± °C	±0 ~ ±100 ppm (TYP.)
Frequency Stability Over Operating Temp Range	±0 ~ ±100 ppm (TYP.)
2.Environmental Condition	
Operating Temp Range	-10 °C~ +60 °C, -20 °C~ +70 °C or customer requirement
Storage Temp Range	-40 °C ~ +85 °C
Aging Rate	±1ppm , ±2ppm , ±3ppm/year
3.Electrical Specifications	
Test Circuit	S&A 250B
Load Capacitance	6 pF ~ 32 pF, series or special
Drive Level	1uW ~ 100uW or special
Shunt Capacitance	7.0pF max

Equivalent Series Resistance(ESR) VS Frequency:

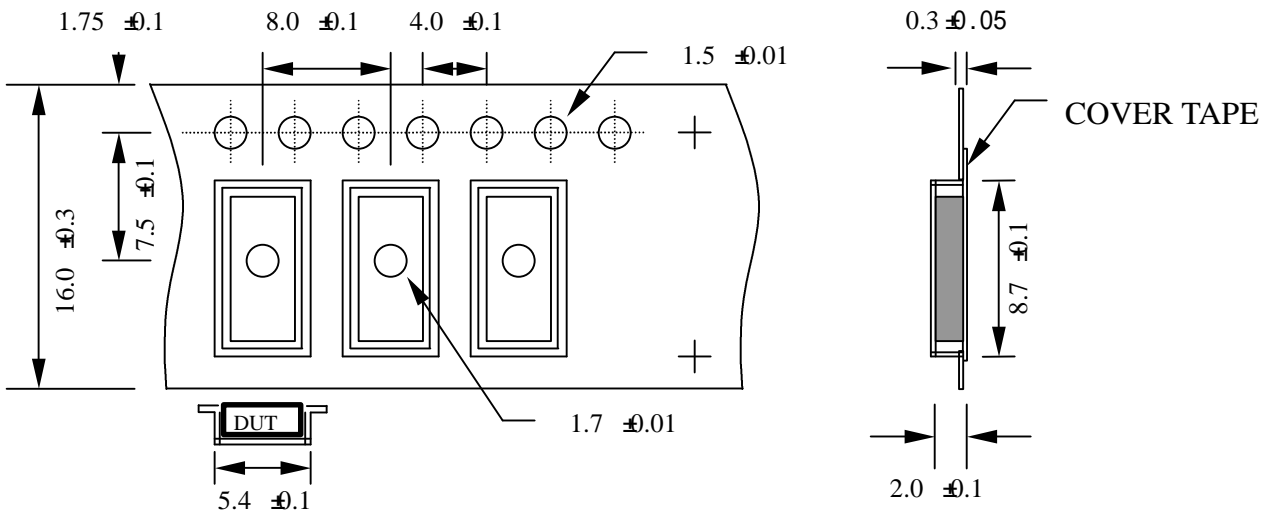
Frequency (MHz)	Oscillation Mode	GJ-8045-GLASS
8.0 ~ 11.0	Fundamental	110
11.1 ~ 22.0	Fundamental	80
22.1 ~ 40.0	Fundamental	50
40.1 ~ 125.0	3rd overtone	80



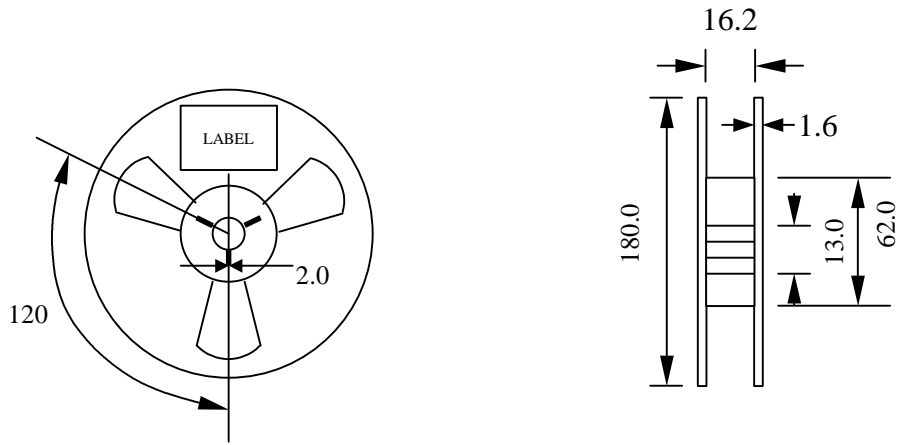
Dimensions (mm):



Tape specification: (Unit:mm)



Reel packing: (Unit:mm)



Reflow Temperature profile:

