

SMD TYPE CERAMIC (SMD 5 x 3.2)



Application of SMD crystal:

- Blue tooth
- PDA
- Notebook
- Digital camera
- MP3
- Wireless Lan

{Features}

1.1mm thickness is equal to SMD-type IC
 Excellent reliability and environment capability
 High-density mounting-type SMD
 Excellent vibration resistance & shock resistance



Electrical Specification:

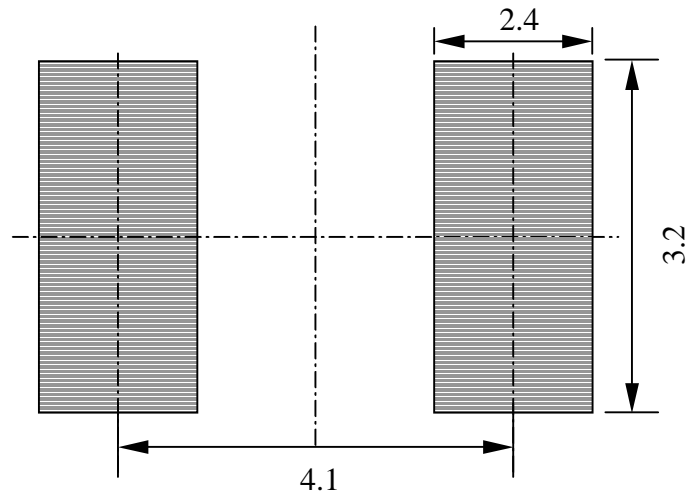
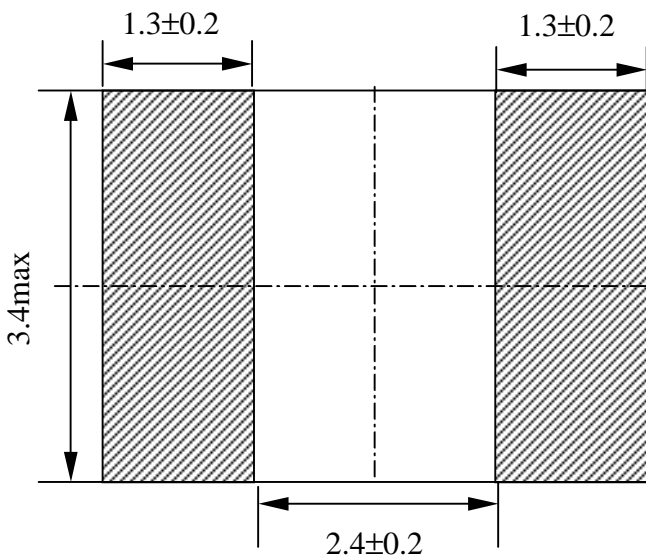
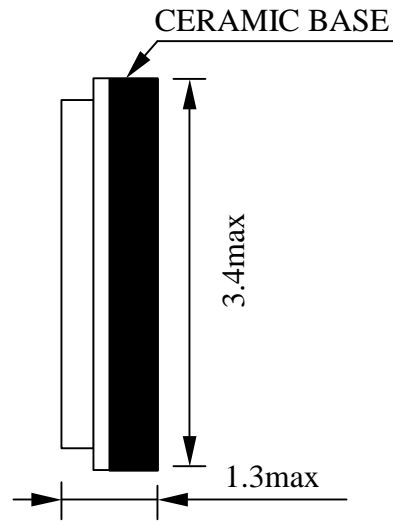
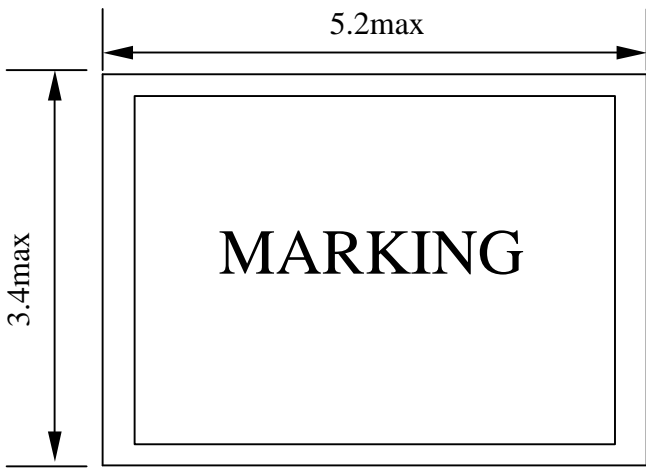
Model	GJ-5032-2P-SEAM
1.Frequency	
Frequency Range	13.0 ~ 52.000 MHz
Frequency Tolerance at 25 ℃ ± ℃	±0 ~ ±100 ppm (TYP.)
Frequency Stability Over Operating Temp Range	±0 ~ ±100 ppm (TYP.)
2.Environmental Condition	
Operating Temp Range	-10 ℃~ +60 ℃,-20 ℃~ +70 ℃ or customer requirement
Storage Temp Range	-40 ℃ ~ +85 ℃
Aging Rate	±1ppm , ±2ppm , ±3ppm/year
3.Electrical Specifications	
Test Circuit	S&A 250B
Load Capacitance	6 pF ~ 32 pF, series or special
Drive Level	1uW ~ 100uW or special
Shunt Capacitance	7.0pF max

Equivalent Series Resistance(ESR) VS Frequency:

Frequency (MHz)	Oscillation Mode	GJ-5032-2P-SEAM
13.0 ~ 25.0	Fundamental	80
25.1 ~ 52.0	Fundamental	50



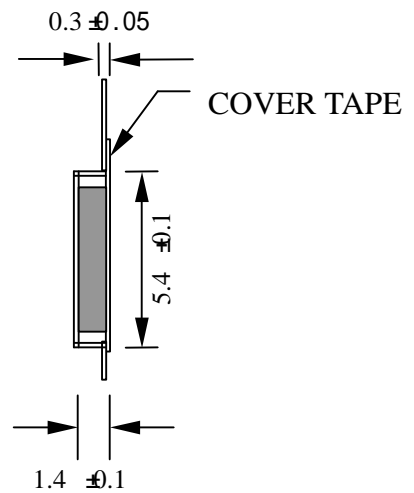
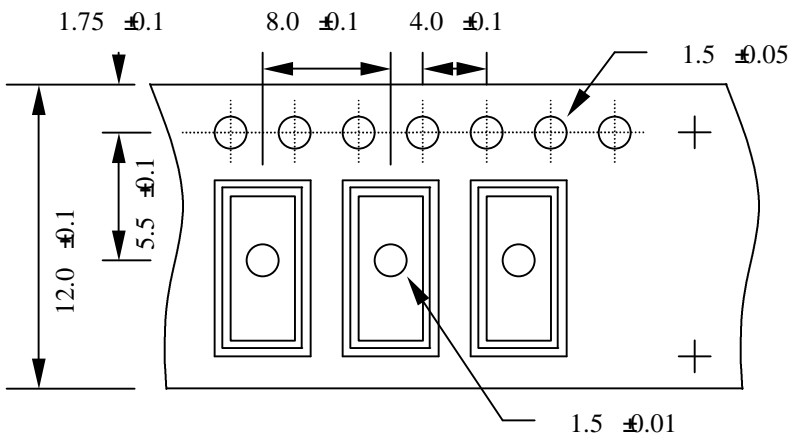
Dimensions: (mm):



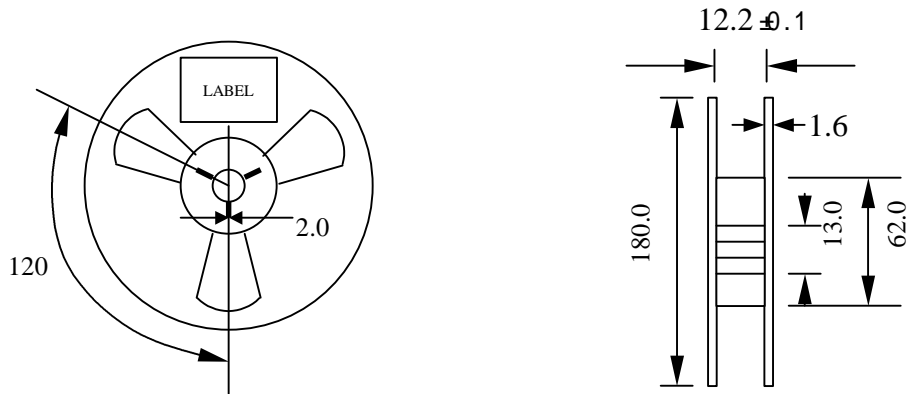
<TOP VIEW>

(Recommended Land Pattern)

Tape specification: (mm)



Reel packing: (mm)



Reflow Temperature profile:

