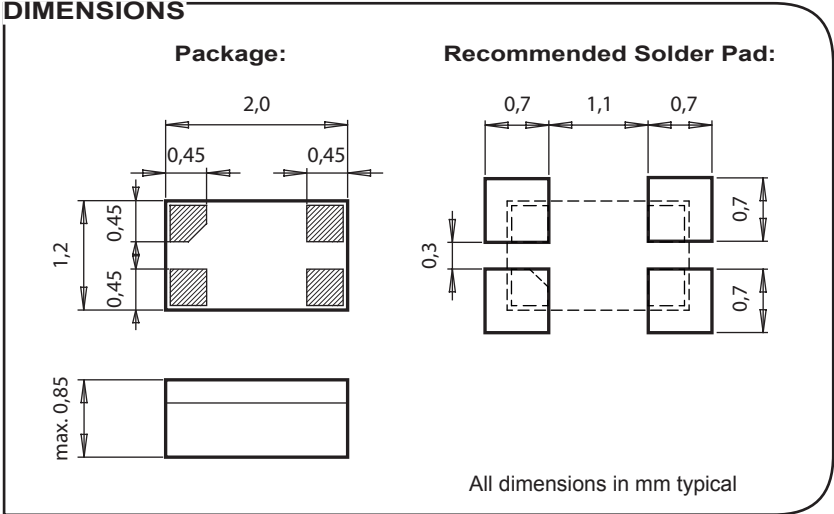
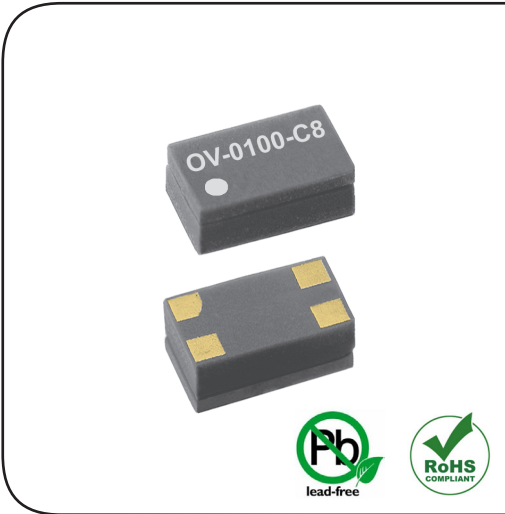


OV-0100-C8

Low Power Clock Oscillator 100.000 kHz



APPLICATIONS

- Metering
- Industrial
- Automotive
- Health Care
- Medical Implantable

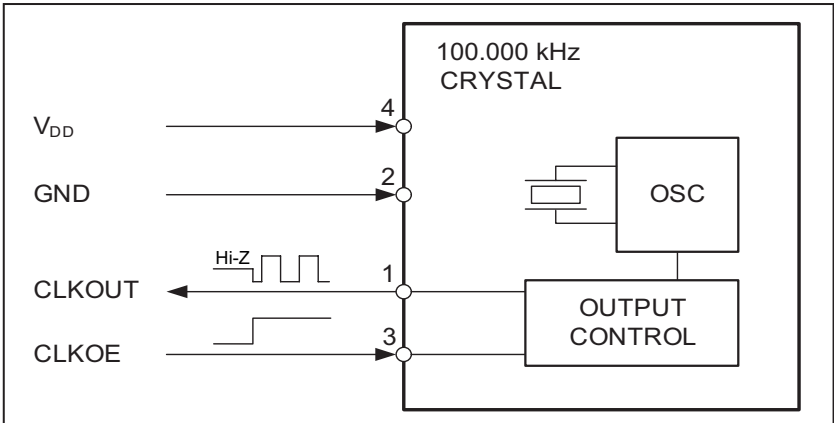
DESCRIPTION

The OV-0100-C8 is a Low Frequency SMT Oscillator that incorporates an integrated CMOS circuit together with an XTAL. It operates under vacuum in a hermetically sealed ceramic package with ceramic lid.

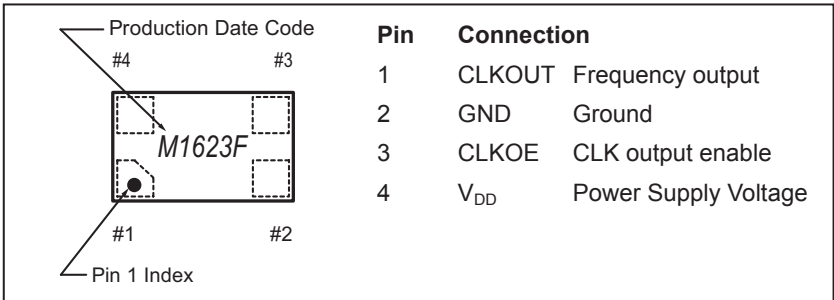
FEATURES

- Wide supply voltage range.
- Very low power consumption.
- CLKOUT enable/disable.
- Small size, low profile, lightweight (6.0 mg).
- High shock and vibration resistant.
- 100% Pb-free, RoHS-compliant.
- Automotive qualification according to AEC-Q200 available.

BLOCK DIAGRAM:



PIN CONNECTIONS TOP VIEW:



ELECTRICAL CHARACTERISTICS AT 25°C:

More detailed information can be found in the Application Manual.

Output Frequency	F	100.000	kHz
Frequency tolerance	¹⁾ $\Delta F/F$	± 100	ppm
Supply voltage	V_{DD}	1.6 – 5.5	V
Current consumption (typ./max.)	²⁾ I_{DD}	0.55 / 0.75	μA
Duty cycle (min./max.)		40 / 60	%
Start up time (max.)	t_{start}	0.5	s
Voltage coefficient (max.)		± 3	ppm/V
Aging first year max. @ 25°C	$\Delta F/F$	± 3	ppm
Turnover temperature (typ.)	T_0	28 ± 5	°C
Frequency vs. temperature	$\Delta F/F_0$	$-0.035 \text{ ppm}/^\circ\text{C}^2 (T - T_0)^2 \pm 10\%$	ppm

1) Tighter tolerances on request.

2) $V_{DD} = 3.0 \text{ V}$, CLKOE = LOW.

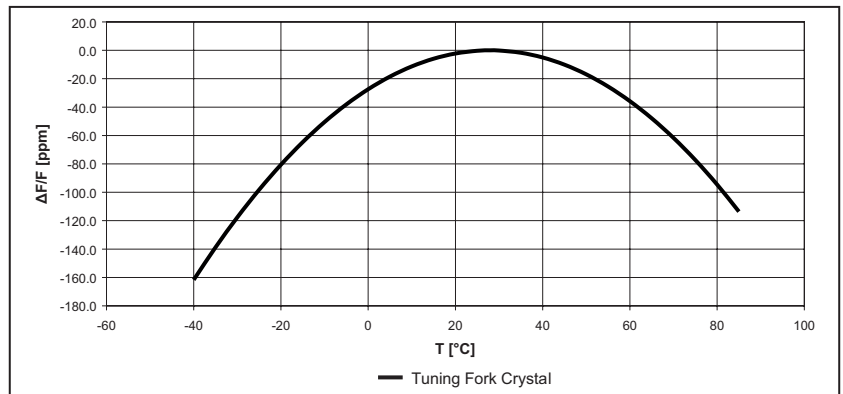
ENVIRONMENTAL CHARACTERISTICS

		Conditions	Max. Dev.
Storage temp. range		-55 to +125°C	
TA Operating temperature range		-40 to +85°C	
Shock resistance	$\Delta F/F$	5000 g, 0.3 ms, 1/2 sine	± 5 ppm
Vibration resistance	$\Delta F/F$	20 g / 10–2000 Hz	± 5 ppm

TERMINATIONS AND PROCESSING

Type	Termination	Processing
OV-0100-C8	For SMT mounting Au flashed pads	IPC/JEDEC J-STD-020C 260°C / 20 - 40 s

FREQUENCY TEMPERATURE CHARACTERISTICS:



ORDERING INFORMATION

O V - 0100 - C8 ±20 ppm TA QC

<p>Oscillator</p> <p>Ceramic lid</p> <p>Frequency 0100 = 100.000 kHz</p> <p>Package size C8 = 2.0 x 1.2 x 0.85 mm</p>	<p>Qualification QC = Commercial Grade (Standard) QA = Automotive Grade AEC-Q200 QM = Medical Grade</p> <p>Temperature range TA = -40 to +85°C (Standard)</p> <p>Frequency tolerance</p>
---	---

A unique part number will be generated for each product specification, i.e:	
20xxxx-MC01	1'000 pcs (in 8 mm tape on 7" reel)
20xxxx-MC03	3'000 pcs (in 8 mm tape on 7" reel)

All specifications subject to change without notice.



A COMPANY OF THE SWATCH GROUP

Micro Crystal AG
Muehlestrasse 14
CH-2540 Grenchen
Switzerland

Phone +41 32 655 82 82
Fax +41 32 655 82 83
sales@microcrystal.com
www.microcrystal.com