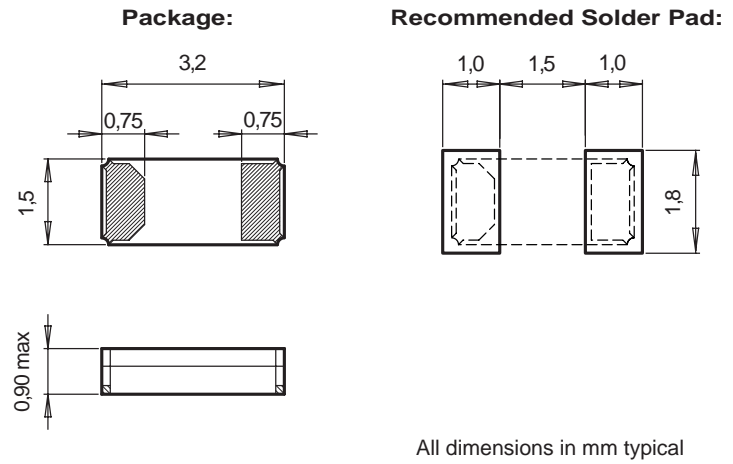


CC7V-T1A

Tuning Fork Crystal 32.768 kHz



DIMENSIONS



APPLICATIONS

Metering
Industrial
Automotive
Health Care
Medical Implantable

DESCRIPTION

The CC7V-T1A is a low frequency SMT Quartz Crystal Unit that incorporates a tuning fork Quartz Crystal Resonator. It operates under vacuum in a hermetically sealed ceramic package with ceramic lid.

FEATURES

Outstanding hermetic sealing with gold-tin preform.
High stability and low aging guaranteed by hermetic sealing.
Available for extended operating temperature range.
Small size, low profile, lightweight (12.5 mg).
High shock and vibration resistant.
100% Pb-free, RoHS-compliant.
Automotive qualification according to AEC-Q200 available.

ELECTRICAL CHARACTERISTICS AT 25°C

Standard Frequencies 32.768 kHz / 100.000 kHz ¹⁾	F _L	32.768	kHz
Load capacitance ²⁾	C _L	6.0 / 7.0 / 9.0 / 12.5	pF
Frequency tolerance ³⁾	ΔF/F	±20	ppm
	ΔF/F	±100	ppm
Series resistance typ./max.	R _S	50 / 70	kΩ
Motional capacitance typ.	C ₁	3.7	fF
Static capacitance typ.	C ₀	1.2	pF
Drive level max.	P	1.0	μW
Insulation resistance min.	R _i	500	MΩ
Aging first year max.	ΔF/F	±3	ppm
Turnover temperature	T ₀	25 ±5	°C
Frequency vs. temperature	ΔF/F ₀	-0.035 ppm/°C² (T - T ₀)² ±10%	

- 1) Other frequencies on request.
2) Other load capacitances on request.
3) Tighter frequency tolerances on request.

STANDARD FREQUENCIES

Frequencies
32.768 kHz / 100.000 kHz
Other frequencies on request

ENVIRONMENTAL CHARACTERISTICS

		Conditions	Max. Dev.
Storage temp. range		-55 to +125°C	
TA Operating temperature range		-40 to +85°C	
TB Extended oper. temp. range		-40 to +125°C	
TC Extended oper. temp. range		-55 to +125°C	
Shock resistance	ΔF/F	5000 g, 0.3 ms, ½ sine	±5 ppm
Vibration resistance	ΔF/F	20 g / 10–2000 Hz	±5 ppm

TERMINATIONS AND PROCESSING

Type	Termination	Processing
CC7V-T1A	For SMT mounting Au flashed pads	IPC/JEDEC J-STD-020C 260°C / 20 - 40 s
CC7V-T2A	SnPb plated pads available on request	IPC/JEDEC J-STD-020C 260°C / 20 - 40 s

ORDERING INFORMATION

<p style="text-align: center;">C C 7 V - T 1 A 32.768 kHz 12.5 pF ±20 ppm TA QC</p> <p>Ceramic package _____</p> <p>Ceramic lid _____</p> <p>Package size _____ 7 = 3.2 x 1.5 x 0.90 mm</p> <p>Tuning fork _____</p> <p>SMT Package _____</p> <p>Pads _____ 1 = Au flashed pads 2 = SnPb plated pads</p> <p>Pads on both ends _____</p>	<p>Frequency F_L _____</p> <p>Load capacitance C_L _____ 6.0 pF 7.0 pF 9.0 pF 12.5 pF Other C_L on request</p> <p>Frequency tolerance _____ ±20 ppm ±100 ppm Tighter freq. tolerances on request</p> <p>Temperature range _____ TA = -40 to +85°C (Standard) TB = -40 to +125°C TC = -55 to +125°C</p> <p>Qualification _____ QC = Commercial Grade (Standard) QA = Automotive Grade AEC-Q200 QM = Medical Grade</p>
---	--

A unique part number will be generated for each product specification, i.e:	
20xxxx-MG01	1'000 pcs (in 12 mm tape on 7" reel)
20xxxx-MG03	3'000 pcs (in 12 mm tape on 7" reel)
20xxxx-PG14	14'000 pcs (in 12 mm tape on 13" reel)

All specifications subject to change without notice.



冠杰电子

0755-27839151

guanjiedz@163.com



www.guangjiedz.com